

Package Contents



Antenna Feed



Center Reflector Panel



Side Reflector Panels (Qty. 2)



Mounting Bracket



Rear Housing



Pivot Panels (Qty. 2)



M4 SEM Screws (Qty. 8)

M8 SEM Screws (Qty. 4)

Metal Straps (Qty. 3)



Gigabit PoE (24V, 0.5A) with
Mounting Bracket



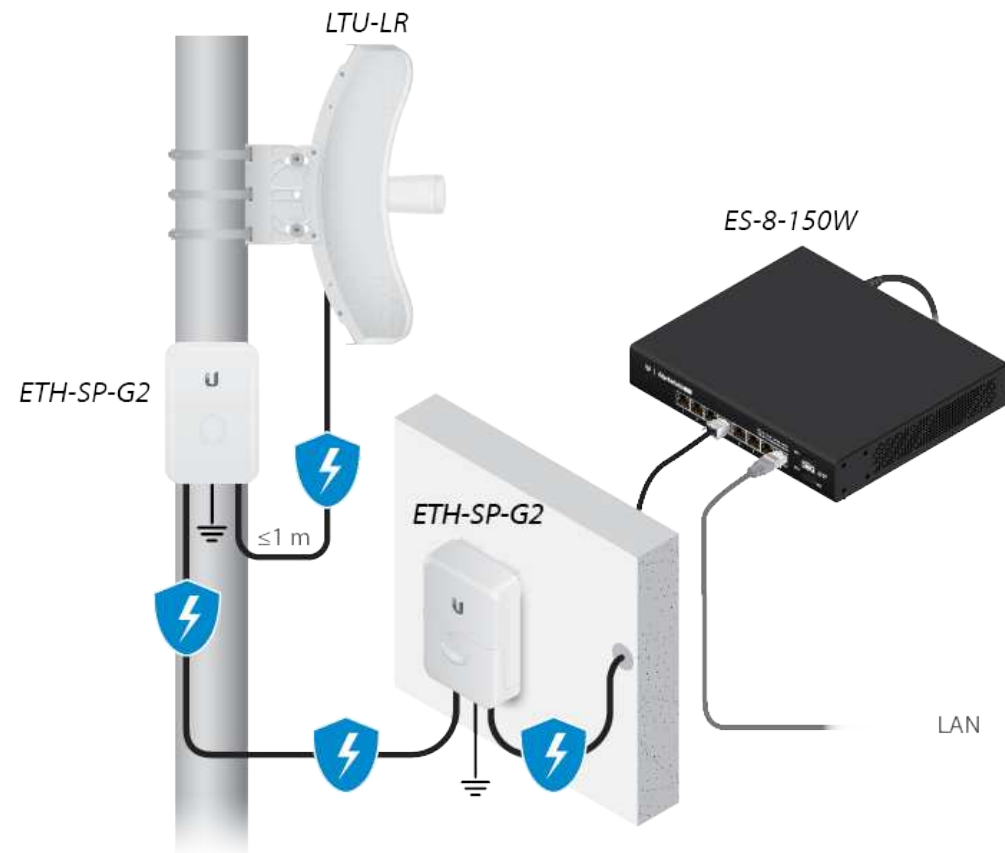
Power Cord

Installation Requirements

- LTU PtMP AP, such as model LTU-Rocket
- Phillips screwdriver
- 13 mm wrench
- 8 mm socket wrench or screwdriver
- Surge protection should be used for all outdoor installations. We recommend that you use two Ethernet Surge Protectors, model ETH-SP-G2, one near the device and the other at the entry point to the building. The ETH-SP-G2 will absorb power surges and safely discharge them into the ground.



Note: For guidelines about grounding and lightning protection, follow your local electrical regulatory codes.



- Outdoor, shielded Category 6 (or above) cabling and shielded RJ45 connectors are required for all wired Ethernet connections.

Hardware Overview



1 LAN LED

The LED will light steady blue when an active Ethernet connection is made to the Ethernet port and flash when there is activity.

2 Power LED

The LED will light blue when the device is connected to a power source.

3 Reset Button

To reset to factory defaults, press and hold the Reset button for more than 10 seconds while the device is powered on.

4 PoE In [24V] Port

This 10/100/1000 Ethernet port is used to connect the power and should be connected to the LAN. Default IP address: 192.168.1.20

Hardware Installation

- 1.





2.





3.





4.

5.





6.



7.



8.



9.



10.

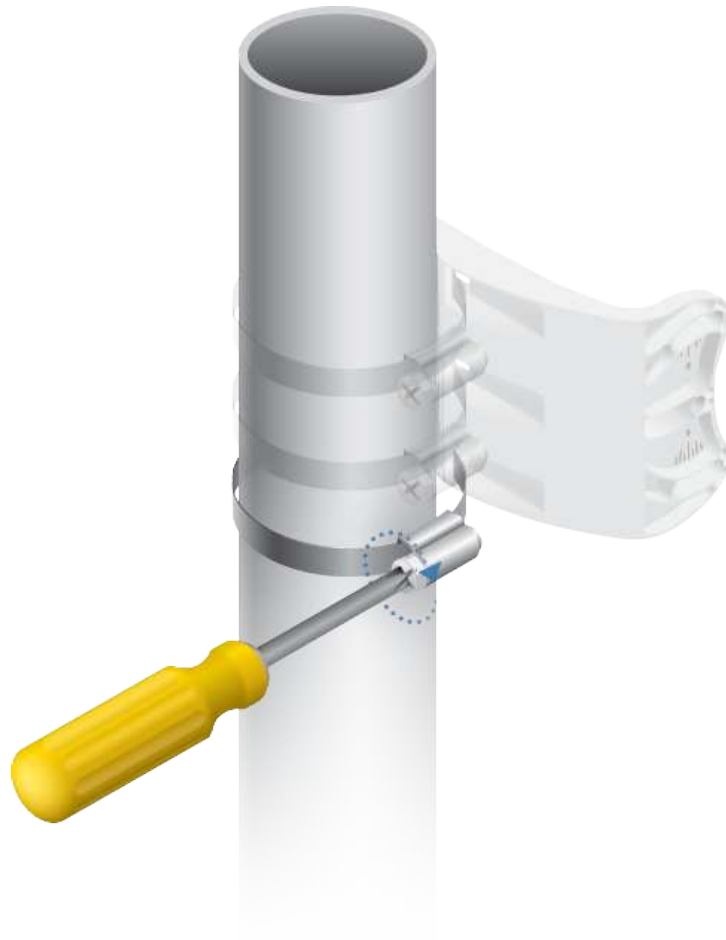


Pole Mounting

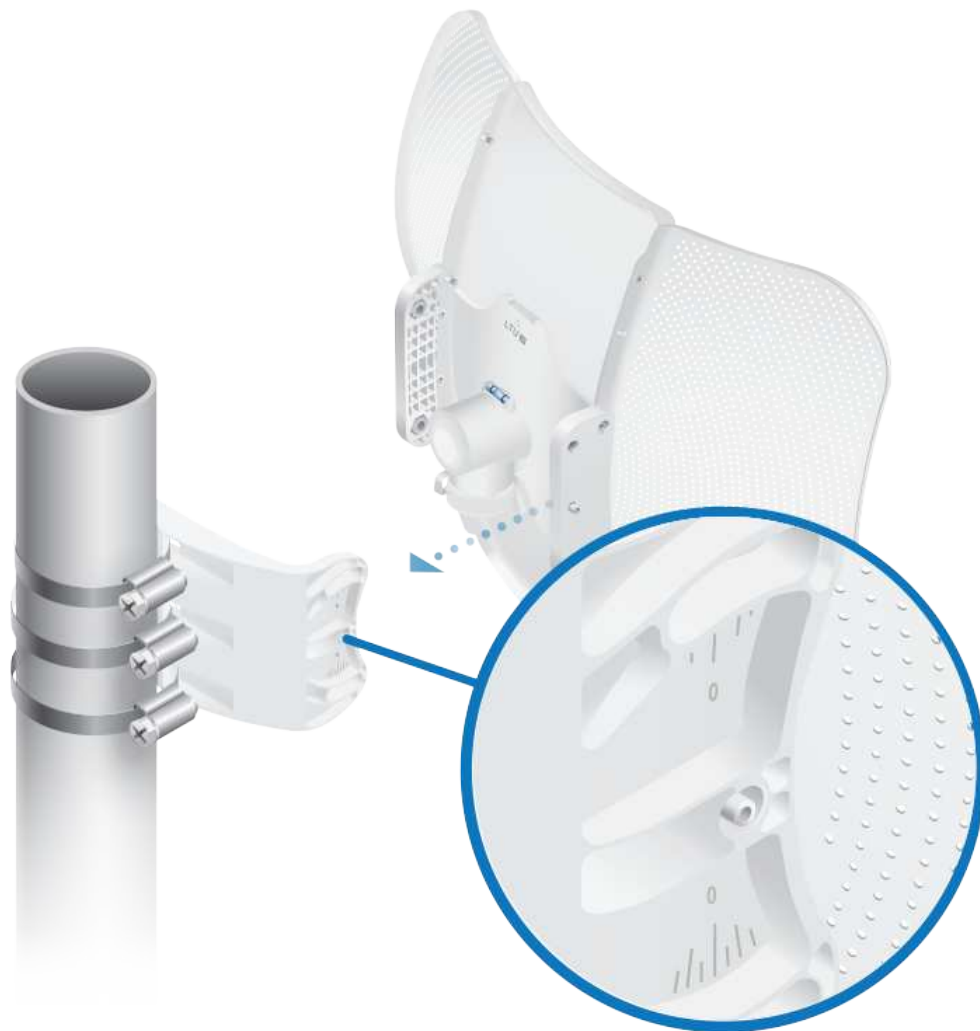
1.



2.



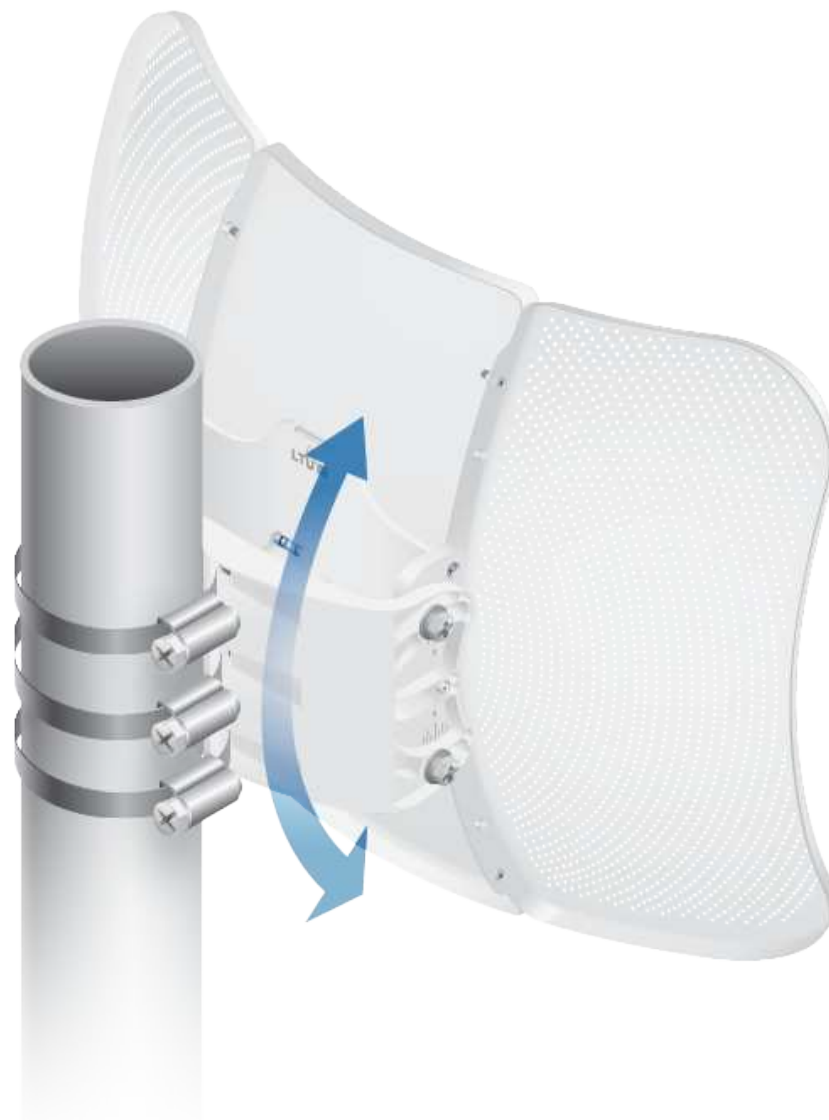
3.



4.



5.



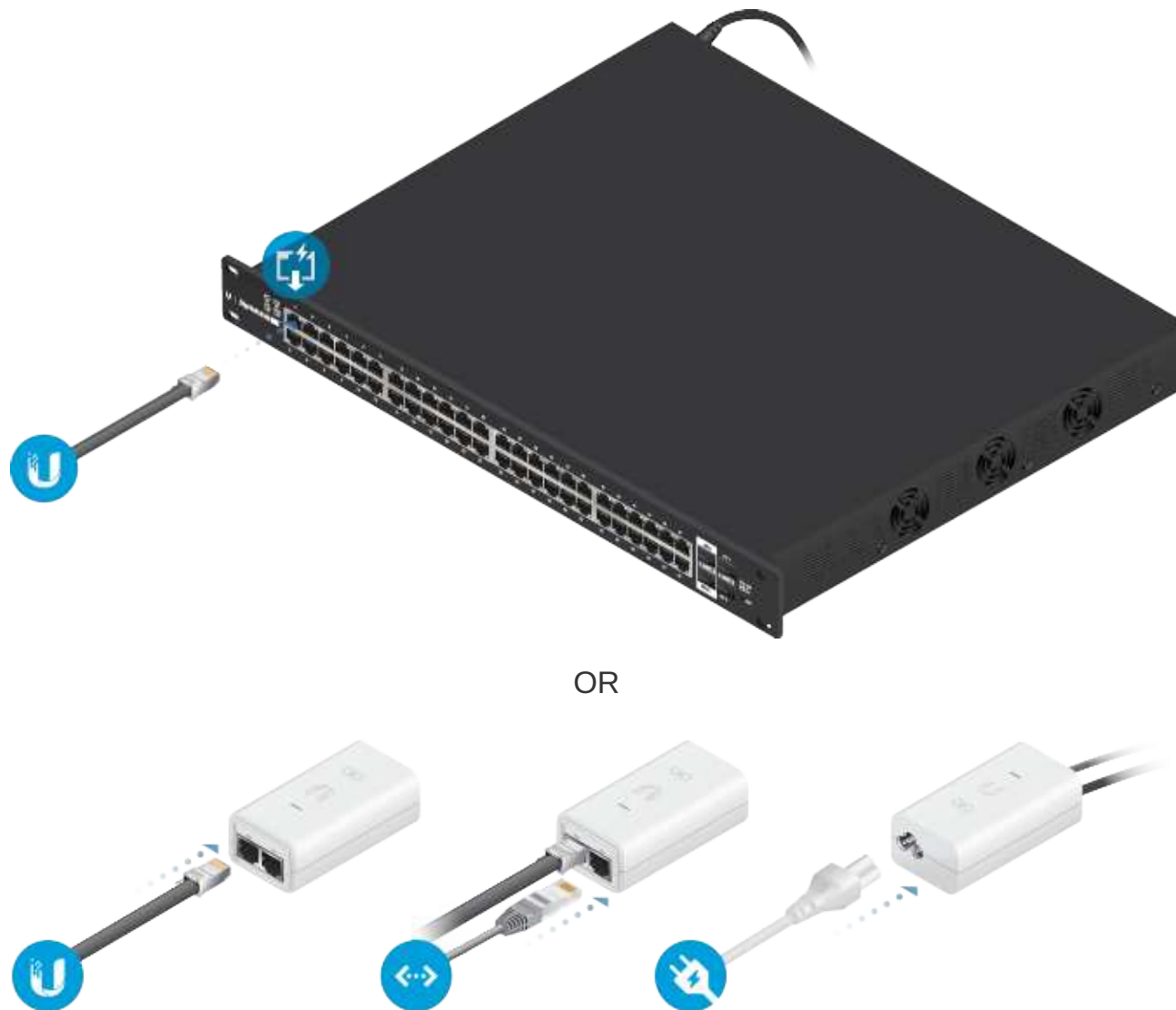
6.

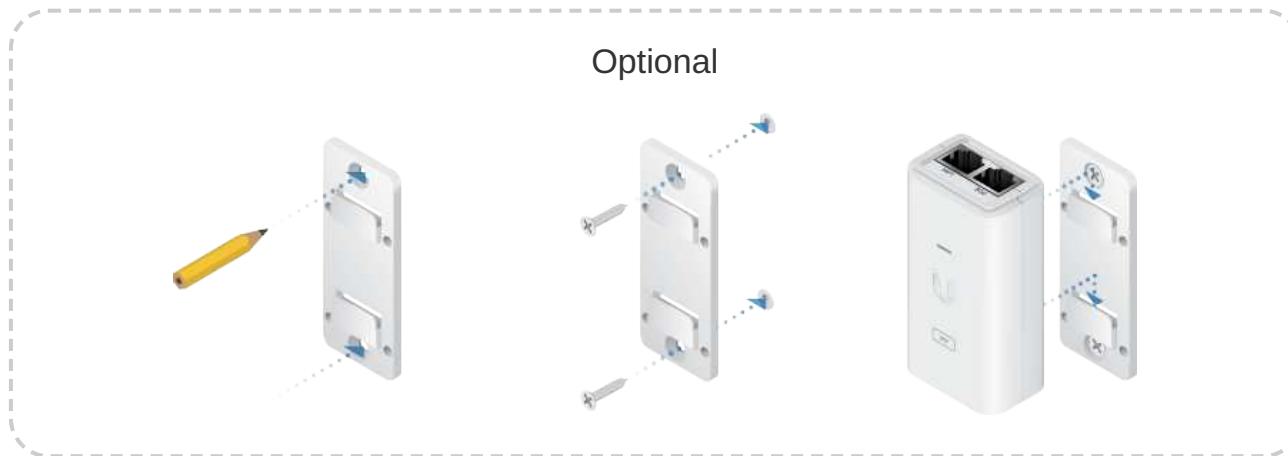


Connecting Power

WARNING: The switch port must comply with the power specifications listed in

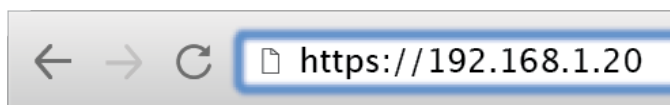
! the [“Specifications”](#).



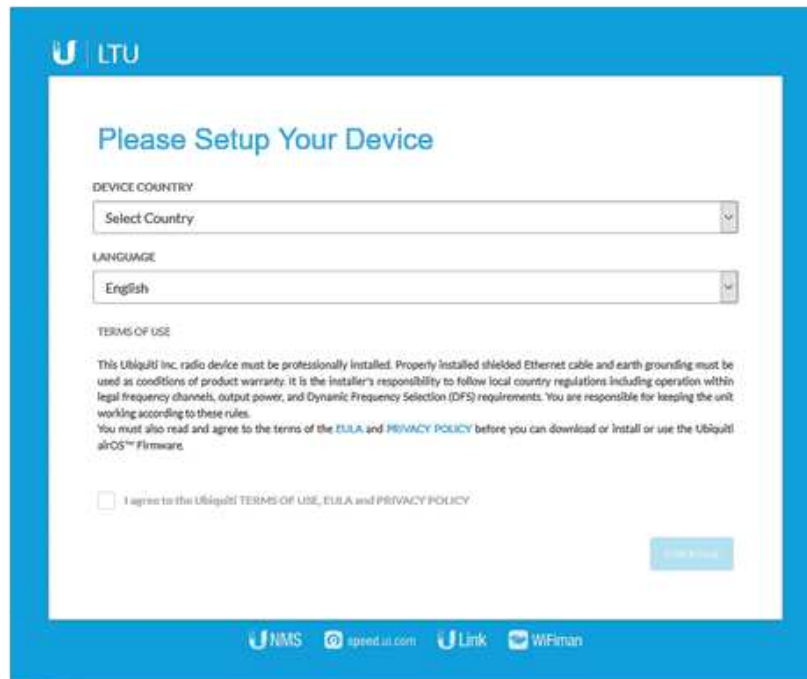


Accessing the Configuration Interface

1. Make sure that your host system is connected via Ethernet to the device.
2. Configure the Ethernet adapter on your host system with a static IP address on the 192.168.1.x subnet.
3. Launch your web browser and type `https://192.168.1.20` in the address field. Press enter (PC) or return (Mac).



4. Select your Country and Language. You must agree to the Terms of Use, EULA, and Privacy Policy to use the product. Click Continue.




The LTU Configuration Interface will appear, allowing you to customize your settings as needed. To have your AP configure your device, proceed to [“Find My AP”](#).

UNMS Management

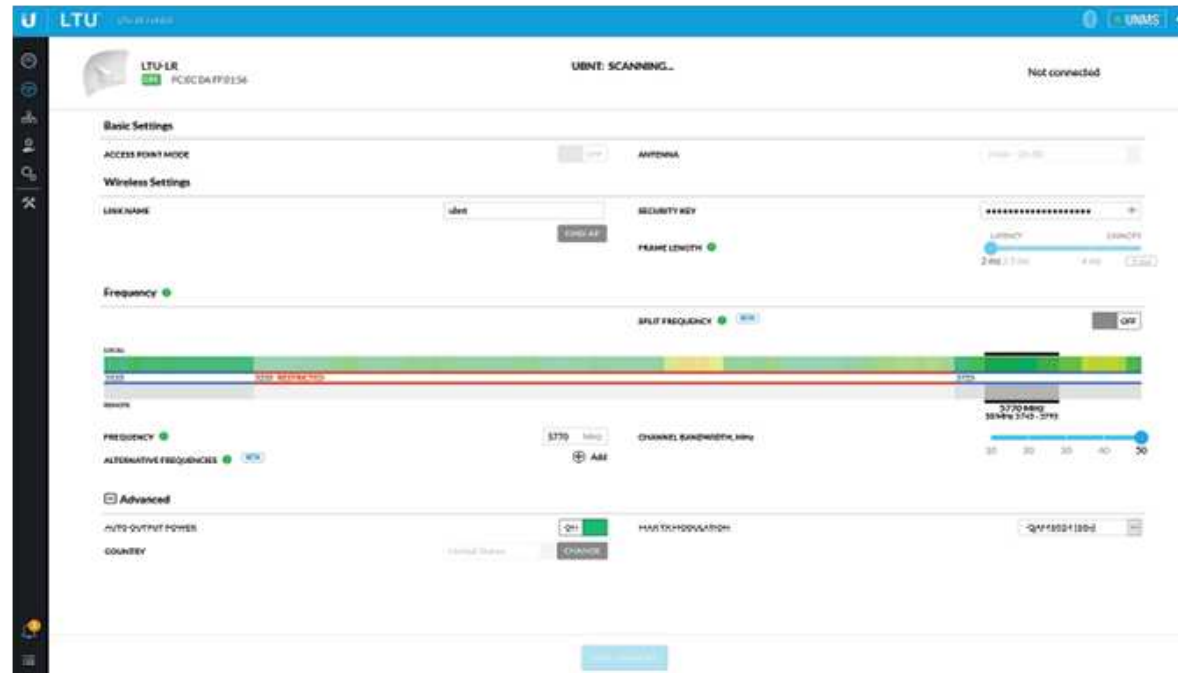
You can manage your device using UNMS, which lets you configure, monitor, upgrade, and back up your devices using a single application. Get started at www.unms.com

Find My AP

1. Click the  icon.
2. In the Wireless Settings section, change the channel bandwidth (default: 20 MHz) as needed.



Note: If the AP's channel bandwidth is set to 50 MHz and your device is set to 20 MHz, then your device will not see that AP and you should change the channel bandwidth on your device.



3. Click Find AP.
4. The device will scan for nearby APs. Click Select for the appropriate AP. To run the search again, click Scan.

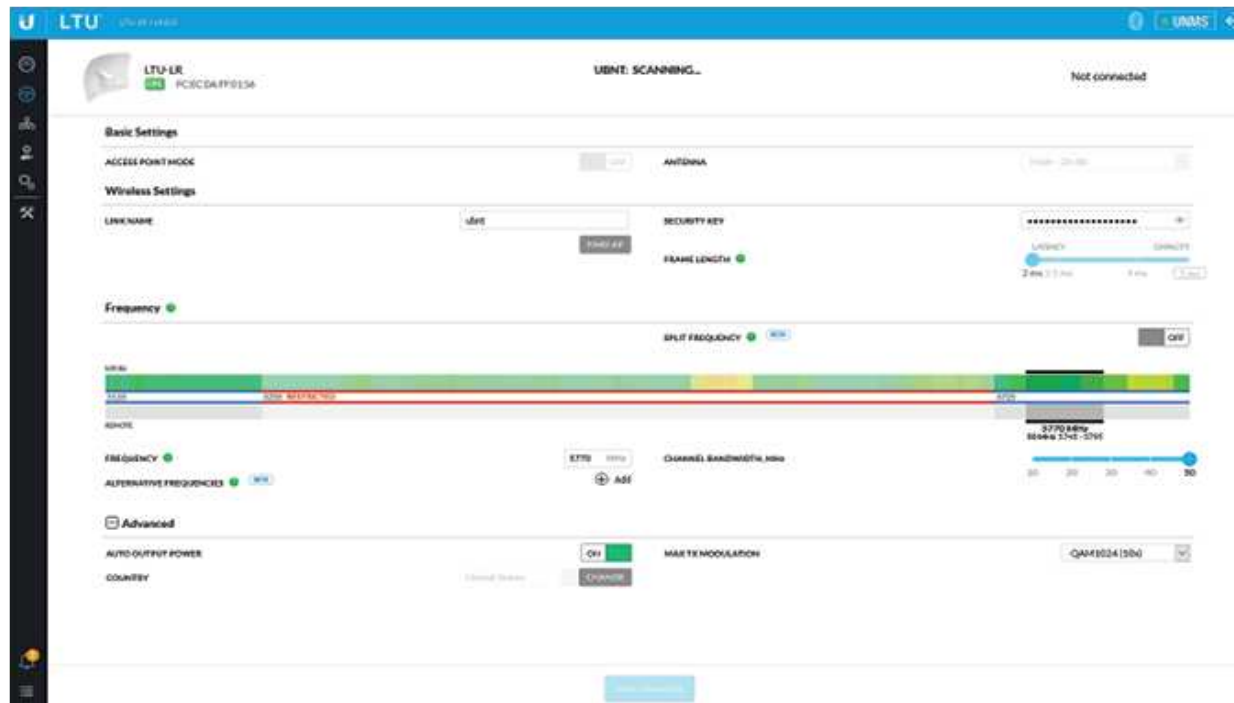
FIND MY AP						
LINK NAME ↑	FREQUENCY	CHANNEL WIDTH	SIGNAL	DL/UL RATIO	FRAME LENGTH	
UBNT-DELAY 78:BA:20:5F:56:C6	5800 Mhz	40 Mhz		50% / 50%	2 ms	SELECT
UBNT_PTMP 78:BA:20:5F:BA:E5	5685 Mhz	40 Mhz		50% / 50%	2 ms	SELECT
UBNT_PTMP 78:BA:20:5F:C3:BA	5685 Mhz	40 Mhz		67% / 33%	2 ms	SELECT

3 Access Points found SCAN

5. Follow the on-screen instructions.

Installer Compliance Responsibility

Devices must be professionally installed and it is the professional installer's responsibility to make sure the device is operated within local country regulatory requirements.



Antenna

Select your antenna from the list. If Calculate EIRP Limit is enabled, transmit output power is automatically adjusted to comply with the regulations of the applicable country. For a Custom antenna, Antenna Gain is entered manually. Note the requirements and antenna types listed below.

Cable Loss (When applicable)

Enter the cable loss in dB. Output power is adjusted to compensate for loss between the radio and the antenna.

Certified Antenna Types

This radio transmitter FCC ID: SWX-LTULRR / IC: LTULRR has been approved by FCC / ISED Canada to operate with the antenna types listed below with the maximum permissible gain for each antenna type indicated. Antenna types not included in this list or having a gain greater than the maximum gain indicated for that type, are strictly prohibited for use with this device.

Antenna	Frequency	Gain
Grid	5 GHz	26 dBi
Feed Only (Omni)	5 GHz	3 dBi

Specifications

LTU-LR	
Dimensions	512.5 x 385.75 x 258.3 mm (20.18 x 15.19 x 10.17")
Weight	1.360 kg (2.998 lb)
With Mount	1.735 kg (3.825 lb)
Networking Interface	(1) 10/100/1000 Ethernet Port
Enclosure	Outdoor UV Stabilized Plastic
Max. Power Consumption	8.5W
Power Supply	24V, 0.5A Gigabit PoE Adapter
Power Method	24V Passive PoE (Pairs 4, 5+; 7, 8-)
Supported Voltage Range	22 - 26V
Gain	26 dBi

LTU-LR	
Max. Conducted TX Power	22 dBm
Mounting	Pole-Mount (Kit Included)
Wind Loading	550 N @ 200 km/h (123.6 lbf @ 125 mph)
Wind Survivability	200 km/h (125 mph)
ESD/EMP Protection	± 24 kV Contact / Air
Operating Temperature	-40 to 60° C (-40 to 140° F)
Operating Humidity	5 to 95% Noncondensing
Certifications	CE, FCC, IC

Operating Frequency (MHz)		
Worldwide	4800 - 6200*	
US/CA	U-NII-1	5150 - 5250
	U-NII-2A	5250 - 5350
	U-NII-2C	5470 - 5725
	U-NII-3	5725 - 5850

* Depends on regulatory region.

Bluetooth LE Management Radio (MHz)	
Worldwide	2400 - 2483.5

Safety Notices

1. Read, follow, and keep these instructions.
2. Heed all warnings.
3. Only use attachments/accessories specified by the manufacturer.



WARNING: Do not use this product in location that can be submerged by water.



WARNING: Avoid using this product during an electrical storm. There may be a remote risk of electric shock from lightning.

Electrical Safety Information

1. Compliance is required with respect to voltage, frequency, and current requirements indicated on the manufacturer's label. Connection to a different power source than those specified may result in improper operation, damage to the equipment or pose a fire hazard if the limitations are not followed.
2. There are no operator serviceable parts inside this equipment. Service should be provided only by a qualified service technician.
3. This equipment is provided with a detachable power cord which has an integral safety ground wire intended for connection to a grounded safety outlet.
 - a. Do not substitute the power cord with one that is not the provided approved type. Never use an adapter plug to connect to a 2-wire outlet as this will defeat the continuity of the grounding wire.
 - b. The equipment requires the use of the ground wire as a part of the safety certification, modification or misuse can provide a shock hazard that can result in serious injury or death.
 - c. Contact a qualified electrician or the manufacturer if there are questions about the installation prior to connecting the equipment.
 - d. Protective earthing is provided by Listed AC adapter. Building installation shall provide appropriate short-circuit backup protection.
 - e. Protective bonding must be installed in accordance with local national wiring rules and regulations.

Limited Warranty

ui.com/support/warranty

The limited warranty requires the use of arbitration to resolve disputes on an individual basis, and, where applicable, specify arbitration instead of jury trials or class actions.

Compliance

FCC

Changes or modifications not expressly approved by the party responsible for compliance could void the user's authority to operate the equipment.

This device complies with Part 15 of the FCC Rules. Operation is subject to the following two conditions.

1. This device may not cause harmful interference, and
2. This device must accept any interference received, including interference that may cause undesired operation.

This equipment has been tested and found to comply with the limits for a Class A digital device, pursuant to part 15 of the FCC Rules. These limits are designed to provide reasonable protection against harmful interference when the equipment is operated in a commercial environment. This equipment generates, uses, and can radiate radio frequency energy and, if not installed and used in accordance with the instruction manual, may cause harmful interference to radio communications. Operations of this equipment in a residential area is likely to cause harmful interference in which case the user will be required to correct the interference at his own expense.

This radio transmitter has been approved by FCC.

ISED Canada

CAN ICES-3(A)/NMB-3(A)

This device complies with ISED Canada licence-exempt RSS standard(s). Operation is subject to the following two conditions:

1. This device may not cause interference, and
2. This device must accept any interference, including interference that may cause undesired operation of the device.

This radio transmitter has been approved by ISED Canada.

The device for operation in the band 5150-5250 MHz is only for indoor use to reduce the potential for harmful interference to co-channel mobile satellite systems.

CAN ICES-3(A)/NMB-3(A)

Le présent appareil est conforme aux CNR d'ISDE Canada applicables aux appareils radio exempts de licence. L'exploitation est autorisée aux deux conditions suivantes :

1. l'appareil ne doit pas produire de brouillage;
2. l'appareil doit accepter tout brouillage radioélectrique subi, même si le brouillage est susceptible d'en compromettre le fonctionnement.

Le présent émetteur radio a été approuvé par ISDE Canada.

Les dispositifs fonctionnant dans la bande 5150-5250 MHz sont réservés uniquement pour une utilisation à l'intérieur afin de réduire les risques de brouillage préjudiciable aux systèmes de satellites mobiles utilisant les mêmes canaux.

IMPORTANT NOTE

Radiation Exposure Statement

- This equipment complies with radiation exposure limits set forth for an uncontrolled environment.
- This equipment should be installed and operated with minimum distance 103 cm between the radiator and your body.
- This transmitter must not be co-located or operating in conjunction with any other antenna or transmitter.

AVIS IMPORTANT

Déclaration sur l'exposition aux rayonnements

- Cet équipement est conforme aux limites prévues pour l'exposition aux rayonnements dans un environnement non contrôlé.
- Lors de l'installation et de la mise en fonctionnement de l'équipement, assurez-vous qu'il y ait une distance minimale de 103 cm entre l'élément rayonnant et vous.
- Cet émetteur ne doit être installé à proximité d'aucune autre antenne ni d'aucun autre émetteur, et ne doit être utilisé conjointement à aucun autre de ces appareils.

Australia and New Zealand



Warning: This equipment is compliant with Class A of CISPR 32. In a residential environment this equipment may cause radio interference.

Brazil



Nota: Este equipamento não tem direito à proteção contra interferência prejudicial e não pode causar interferência em sistemas devidamente autorizados.

CE Marking

CE marking on this product represents the product is in compliance with all directives that are applicable to it.



Country List

AT	BE	BG	CY	CZ	DE	DK	EE	EL	ES	FI	FR	HR	HU
IE	IT	LV	LT	LU	MT	NL	PL	PT	RO	SE	SI	SK	UK

BFWA (Broadband Fixed Wireless Access) members noted in blue



Note: This device meets Max. TX power limit per ETSI regulations.

The following apply to products that operate in the 5 GHz frequency range:



Note: This device is restricted to indoor use only when operating in the 5150 - 5350 MHz frequency range within all member states.



Note: All countries listed may operate at 30 dBm. BFWA member states may operate at 36 dBm.



Note: Operation in the 5.8 GHz frequency band is prohibited in BFWA member states. Other countries listed may use the 5.8 GHz frequency band.

[WEEE Compliance Statement](#)

[Declaration of Conformity](#)

[Online Resources](#)



© 2020 Ubiquiti Inc. All rights reserved.