

Precision Alignment Kit



QUICK START GUIDE

Introduction

Thank you for purchasing the Ubiquiti Networks® Precision Alignment Kit, which is compatible with the following:

- airFiber® AF-5G30-S45
- PowerBeam™ PBE-5AC-620
- PowerBeam PBE-M5-620
- RocketDish™ RD-5G30-LW

Package Contents



Alignment Bracket
Assembly



Pole Clamps
(Qty. 2)



Carriage Bolts
(M8x150, Qty. 4)



Serrated Flange Nuts
(M8, Qty. 4)



Hex Head Bolts
(M8, Qty. 4)

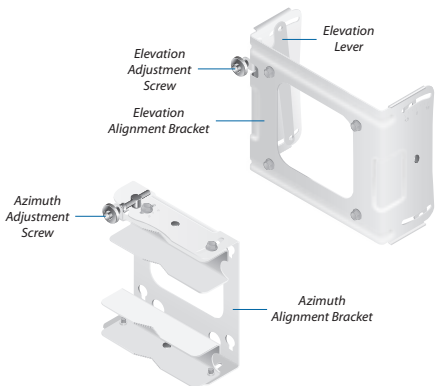


Quick Start
Guide

Installation Requirement

- 13 mm Wrench

Hardware Overview

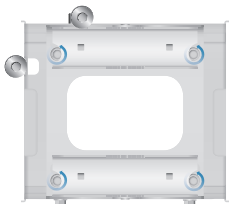


Alignment Bracket Assembly after Separation of Brackets

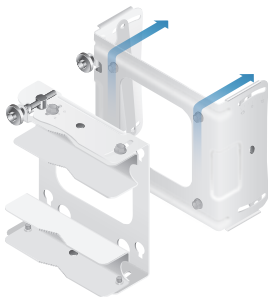
Installation

The following instructions show the RD-5G30-LW; however, they also apply to other antennas that use 620 mm dish reflectors.

1. Loosen the four hex head bolts of the *Alignment Bracket Assembly*.



2. Lift the *Elevation Alignment Bracket* up and out to separate it from the *Azimuth Alignment Bracket*.

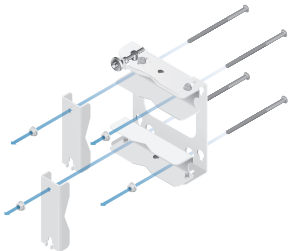


640-00177-01

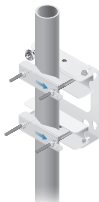
3. Use four *Hex Head Bolts* to attach the *Elevation Alignment Bracket* to the antenna. Ensure that the *Hex Head Bolts* go through the *Elevation Levers* on the inner sides of the *Elevation Alignment Bracket*.



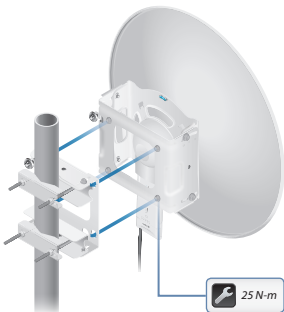
4. Attach two *Pole Clamps* to the *Azimuth Alignment Bracket*.
 - a. Insert four *Carriage Bolts* into the *Azimuth Alignment Bracket*.
 - b. Slide the hole of a *Pole Clamp* over one bolt of each pair.
 - c. Place one *Serrated Flange Nut* on each bolt.



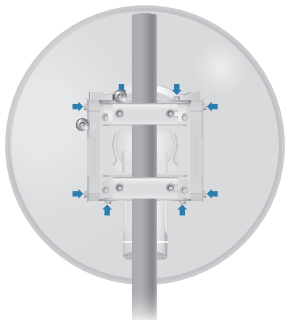
5. Attach the *Azimuth Alignment Bracket* to the pole:
 - a. Slide the slot of each *Pole Clamp* over the corresponding *Carriage Bolt*.
 - b. Tighten the four *Serrated Flange Nuts* to secure the *Azimuth Alignment Bracket* to the pole.



6. Attach the *Elevation Alignment Bracket* to the *Azimuth Alignment Bracket*:
 - a. Insert the four hex head bolts of the *Elevation Alignment Bracket* into the slots of the *Azimuth Alignment Bracket*.
 - b. Slide the *Elevation Alignment Bracket* down, and tighten the four hex head bolts to 25 N-m.



7. Before adjusting the azimuth and elevation angles, ensure that these eight hex head bolts are loose enough to allow movement.

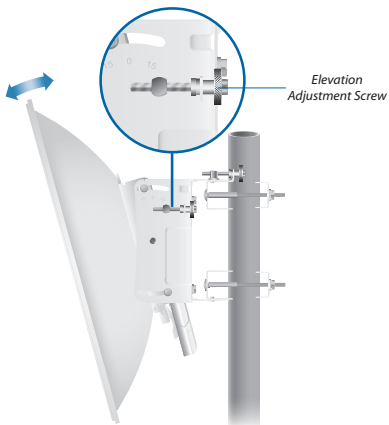


8. To adjust the azimuth angle up to $\pm 15^\circ$, turn the *Azimuth Adjustment Screw* until the desired angle is reached.



Azimuth Adjustment Screw

9. To adjust the elevation angle up to $\pm 15^\circ$, turn the *Elevation Adjustment Screw* until the desired angle is reached.



10. Lock the alignment by tightening the eight hex head bolts to 25 N-m.

