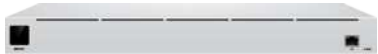


# Package Contents



UniFi SmartPower RPS



USB Cable



Rack-Mount Brackets (Qty. 2)



Bracket Screws (Qty. 8)



Mounting Screws (Qty. 4)



Cage Nuts (Qty. 4)



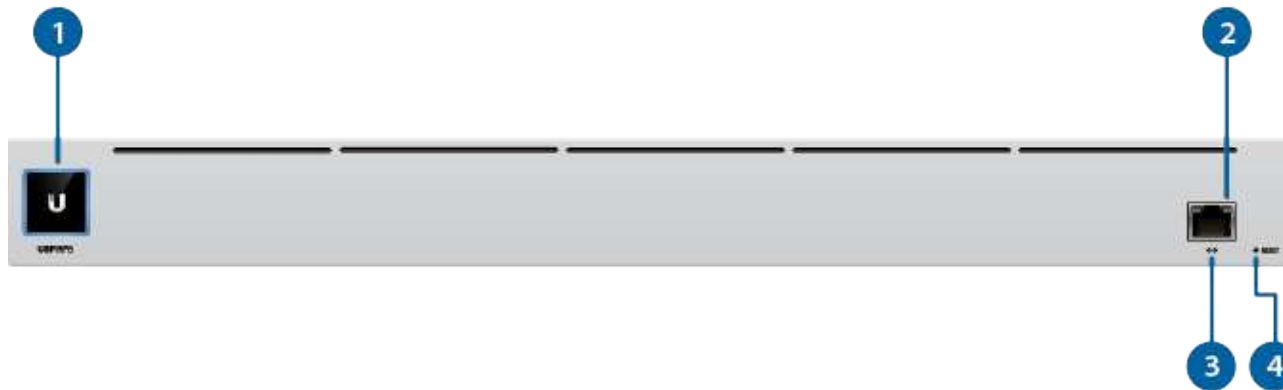
Power Cord

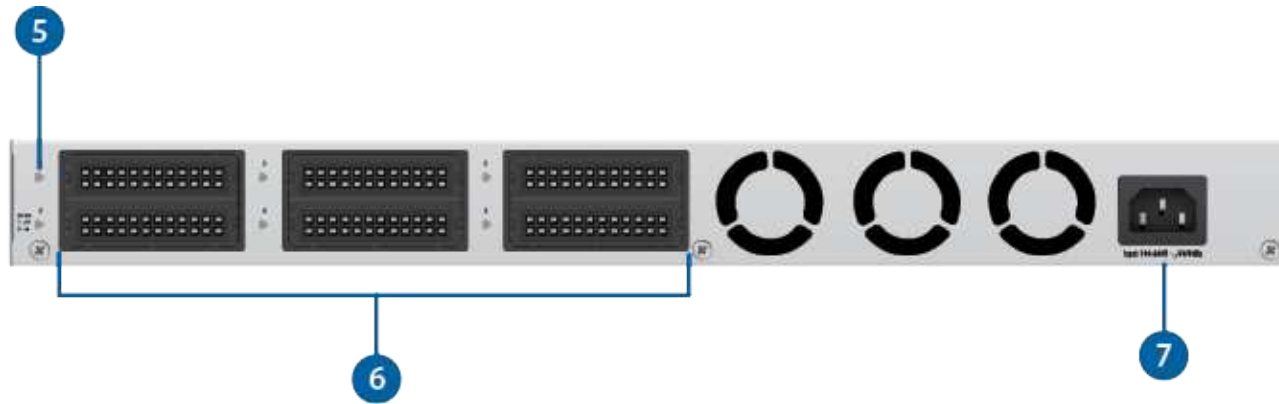
Rubber Feet (Qty. 4)

## System Requirement

- Linux, Mac OS X, or Microsoft Windows 7/8/10
- Java Runtime Environment 1.6 (1.8 or newer recommended)
- Web Browser: Google Chrome (Other browsers may have limited functionality.)
- UniFi Controller software v5.12.x (or newer), available at: [ui.com/download/unifi](http://ui.com/download/unifi)

## Hardware Overview





**1** Touchscreen Display

Bootup Animation	Initializing.
Steady White	Factory defaults, waiting for adoption.
Steady Blue	Successfully adopted by a network and working properly.
Location Animation	This indicates that you clicked Locate in the UniFi Controller software. The software will also display the location of the device on the map.

**2** RJ45 Speed/Link/Activity LED

Off	No Link
Green	Link Established at 10/100/1000 Mbps Flashing Indicates Activity

### 3 LAN Port

The RJ45 port supports a 10/100/1000 Ethernet connection. Set to DHCP Client by default.

### 4 Reset Button

Resets to factory defaults. The device should be running after bootup is complete. Press and hold the Reset button for about 10 seconds until the display indicates that the device has reset itself. After a few seconds, the LED will turn off, and the device will automatically reboot.

### 5 USP RPS LED (Ports 1 - 6)

The LED lights up blue when there is an active power connection.

### 6 USP Connect DC Output (Ports 1 - 6)

Connect the included USP Cable to a UniFi device with a USP Connect DC input. (Additional USP cables are sold separately as model USP-Cable.)

### 7 Power Port

Connect the included Power Cord to the Power port.

## Installation Requirements

- Phillips screwdriver
- Standard-sized, 19" wide rack with a minimum of 1U height available
- For indoor applications, use Category 5 (or above) UTP cabling approved for indoor use.

- For outdoor applications, shielded Category 5 (or above) cabling should be used for all wired Ethernet connections and should be grounded through the AC ground of the power supply.

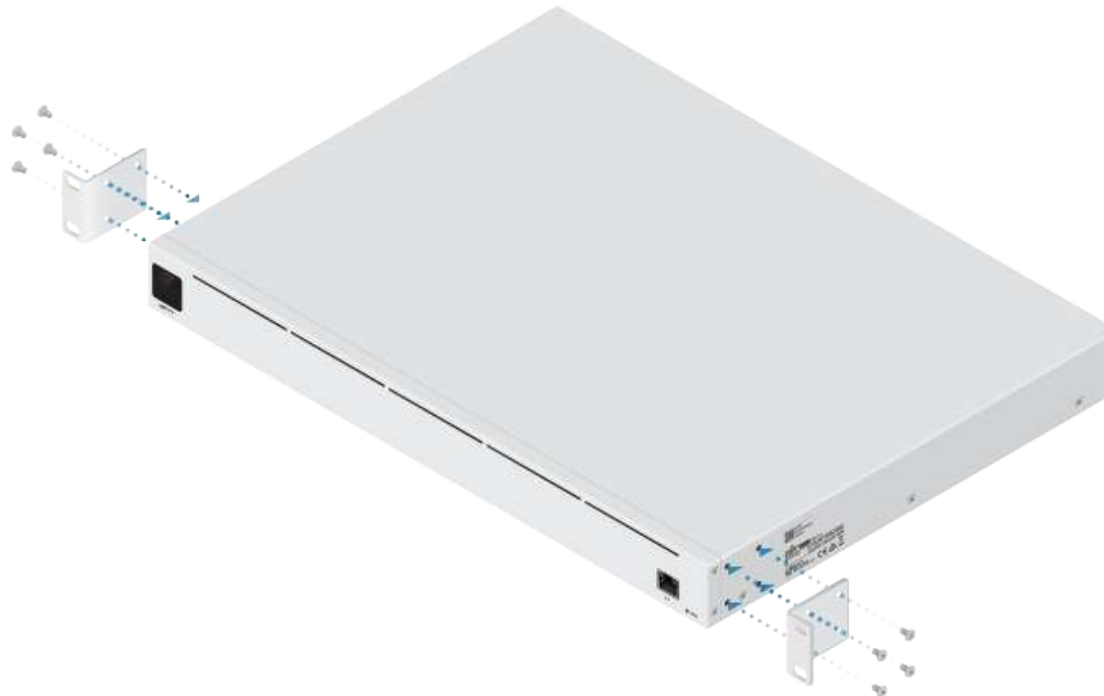
We recommend that you protect your networks from harmful outdoor environments and destructive ESD events with industrial-grade, shielded Ethernet cable from Ubiquiti. For more details, visit: [ui.com/toughcable](http://ui.com/toughcable)



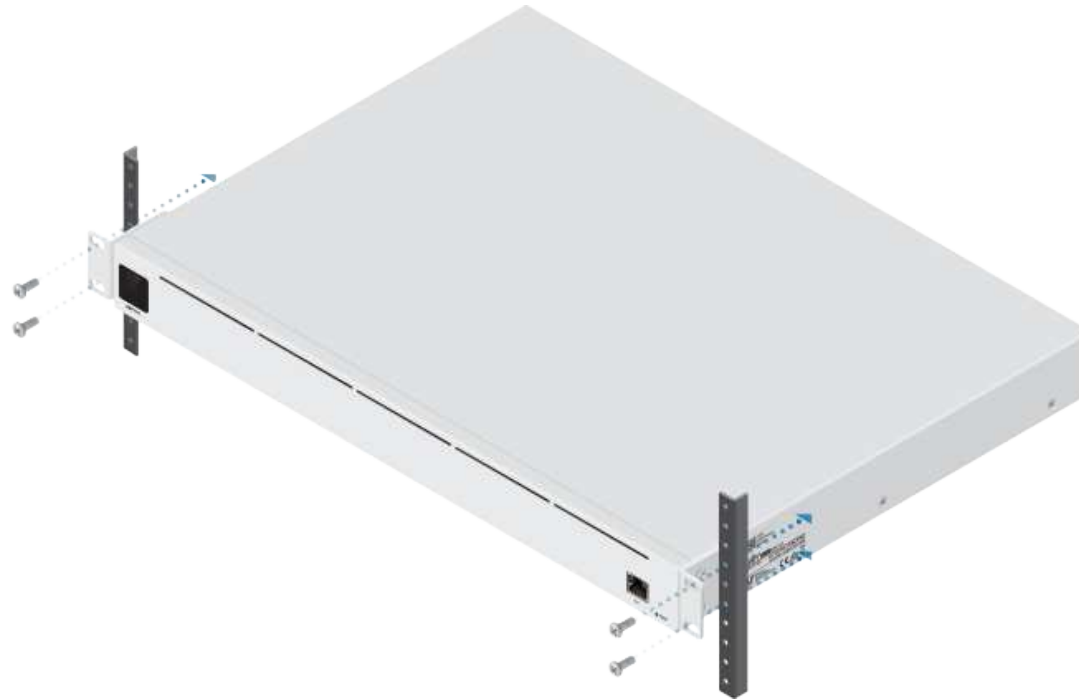
**Note:** Although the cabling can be located outdoors, the USP-RPS itself should be housed inside a protective enclosure.

## Hardware Installation

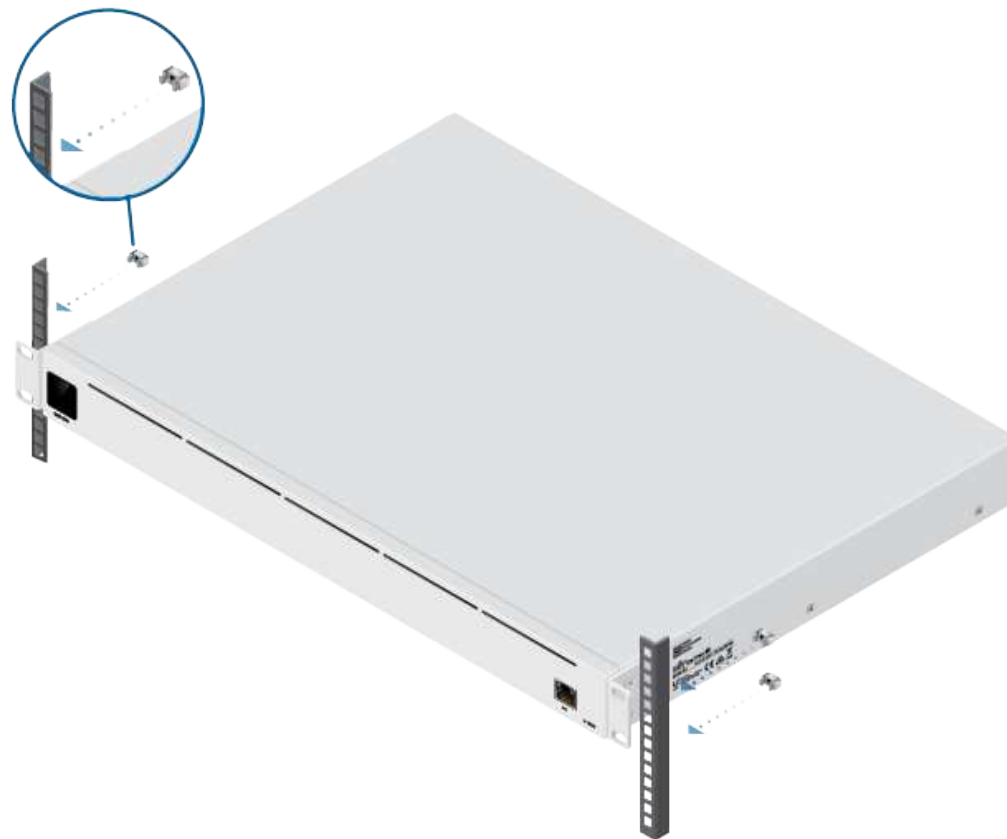
1.

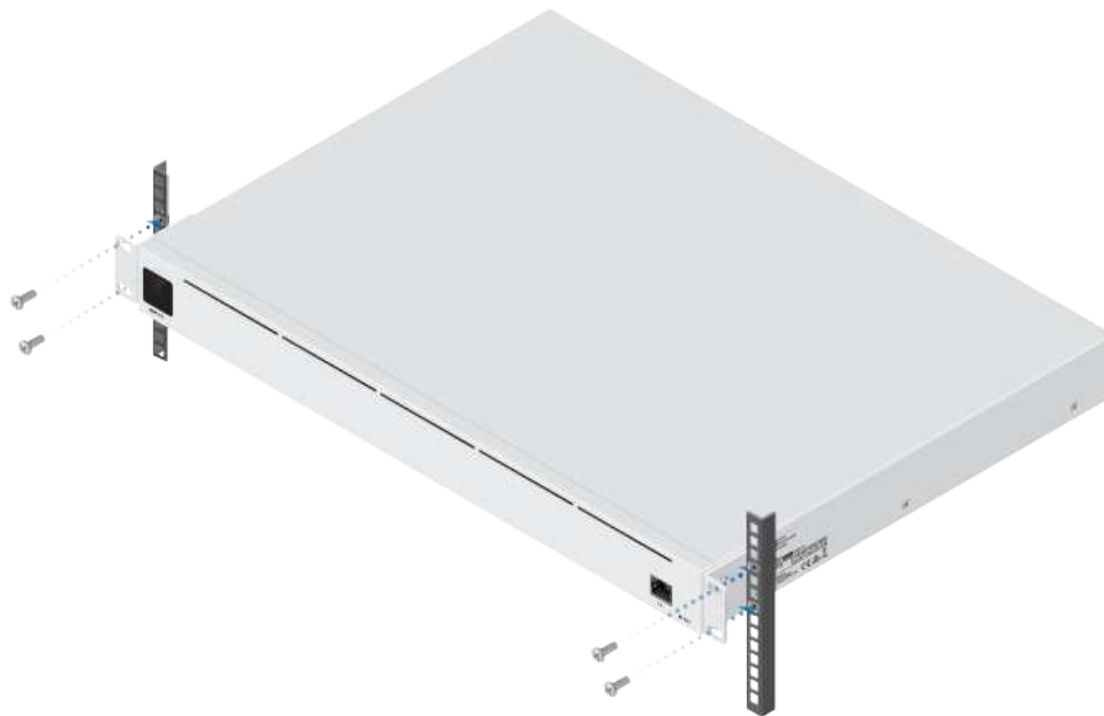


2.



OR





## Connecting Power

1.





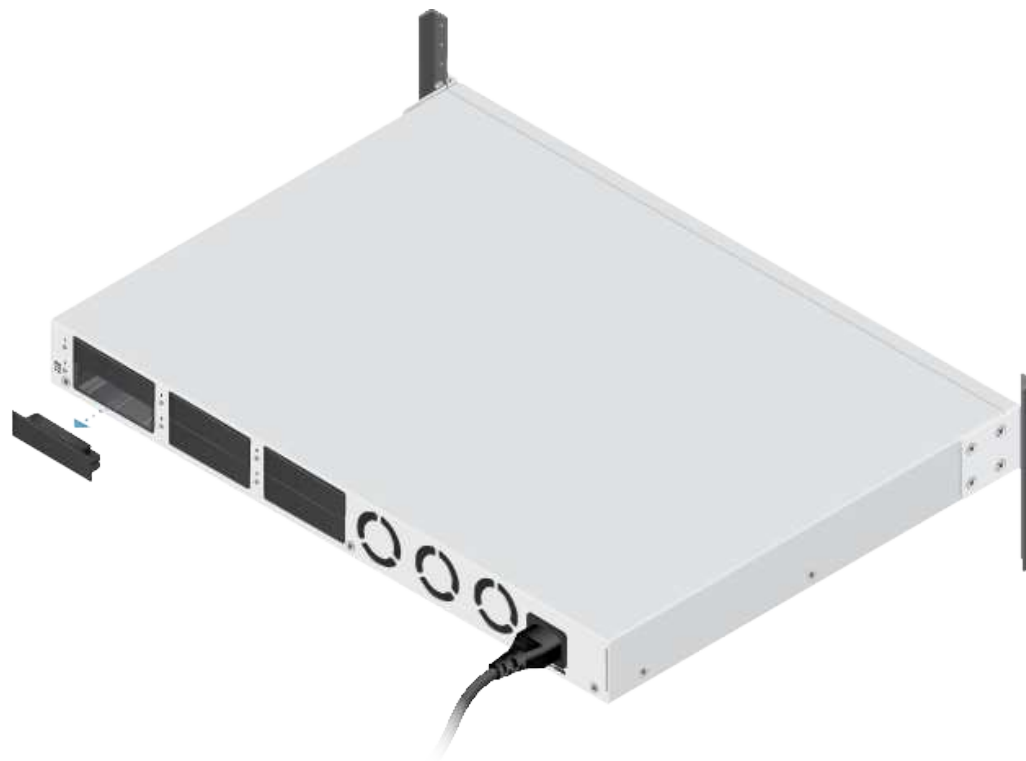
2.



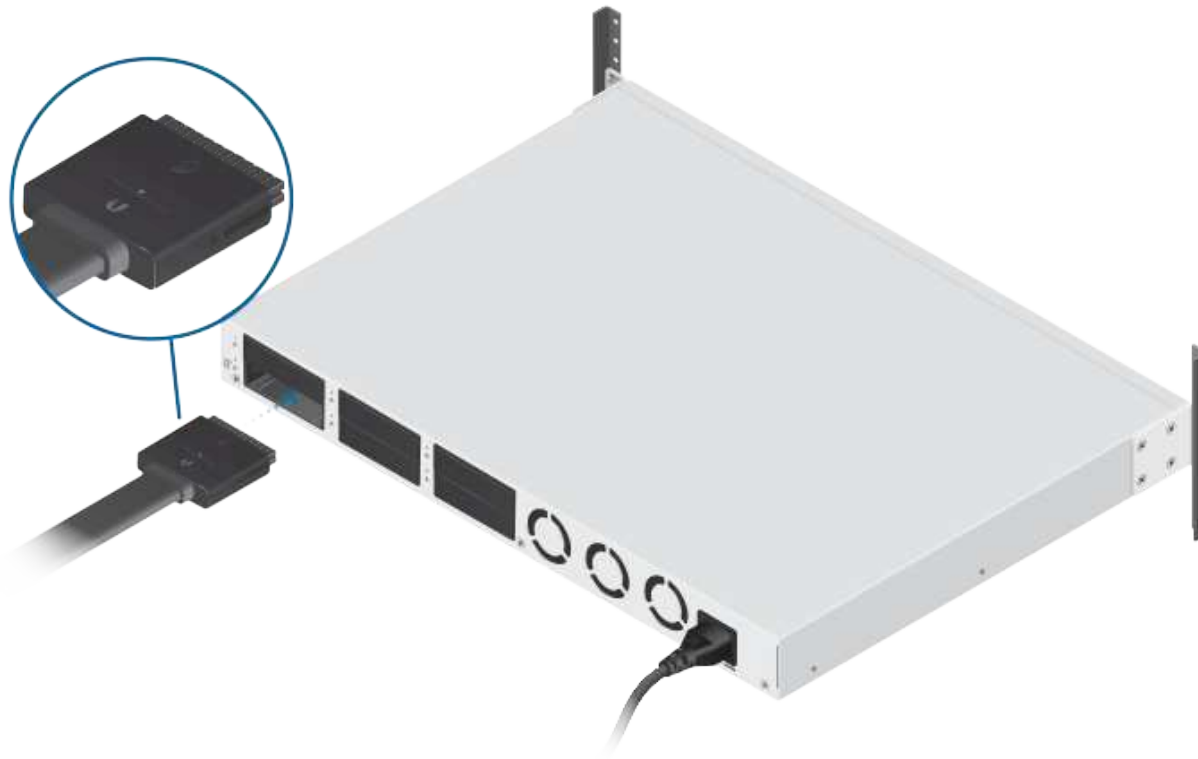
## Connecting the USP Cable

Some UniFi devices have a proprietary USP port that allows them to be connected using a Ubiquiti USP-Cable (sold separately).

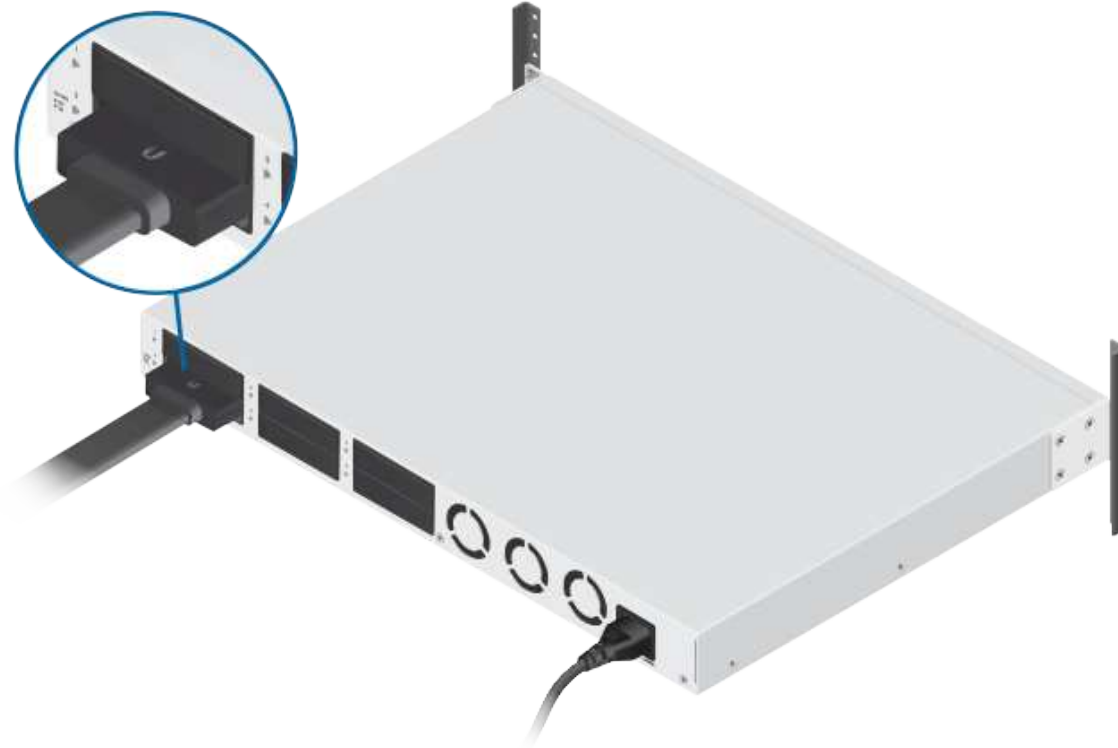
1.



2.



3.

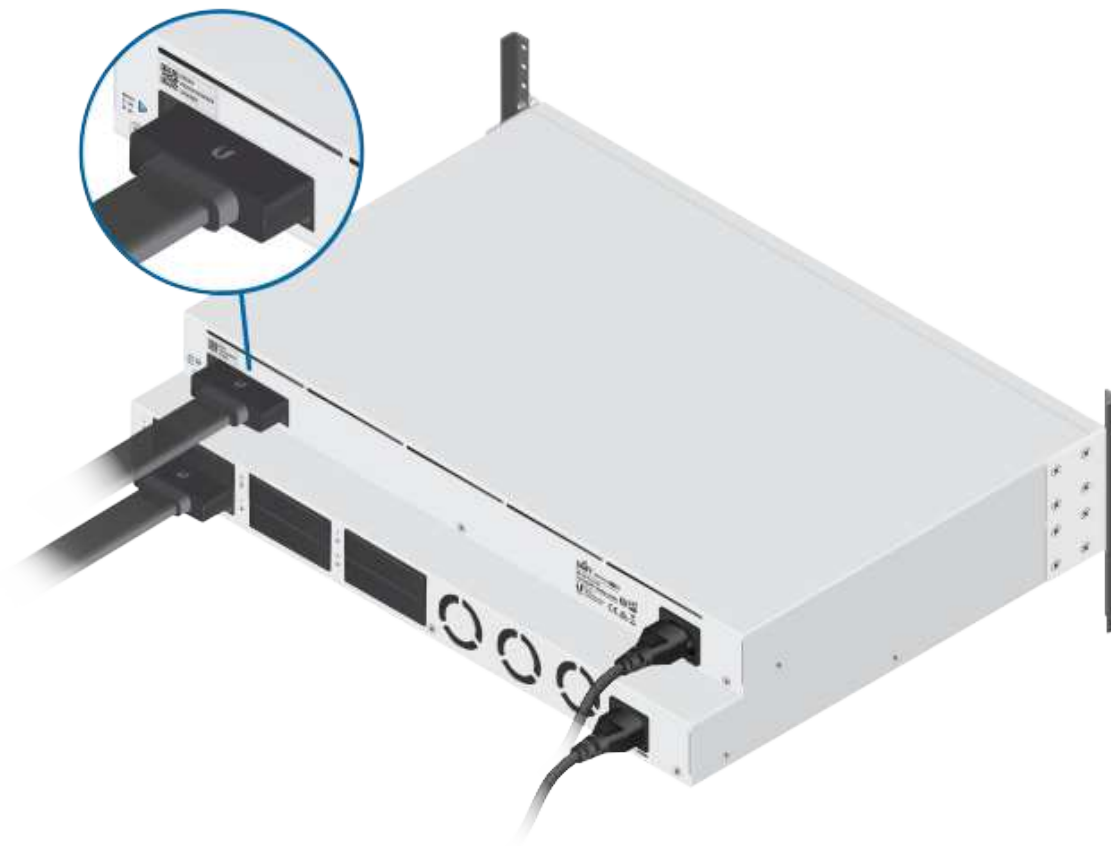


**Note:** The stop line should not be visible when the cable is completely plugged in.

4.



5.



**Note:** The stop line should not be visible when the cable is completely plugged in.

## Connecting to the LAN



## Software Installation

Download and install the latest version of the UniFi Controller software at [ui.com/download/unifi](https://ui.com/download/unifi) and follow the on-screen instructions.



**Note:** If you already have UniFi Controller v5.12.x or newer installed, skip to [“Adopting the USP-RPS”](#).

After you have installed the software and run the UniFi Installation Wizard, a login screen will appear for the UniFi Controller management interface. Enter the admin name and password that you created and click Sign In.



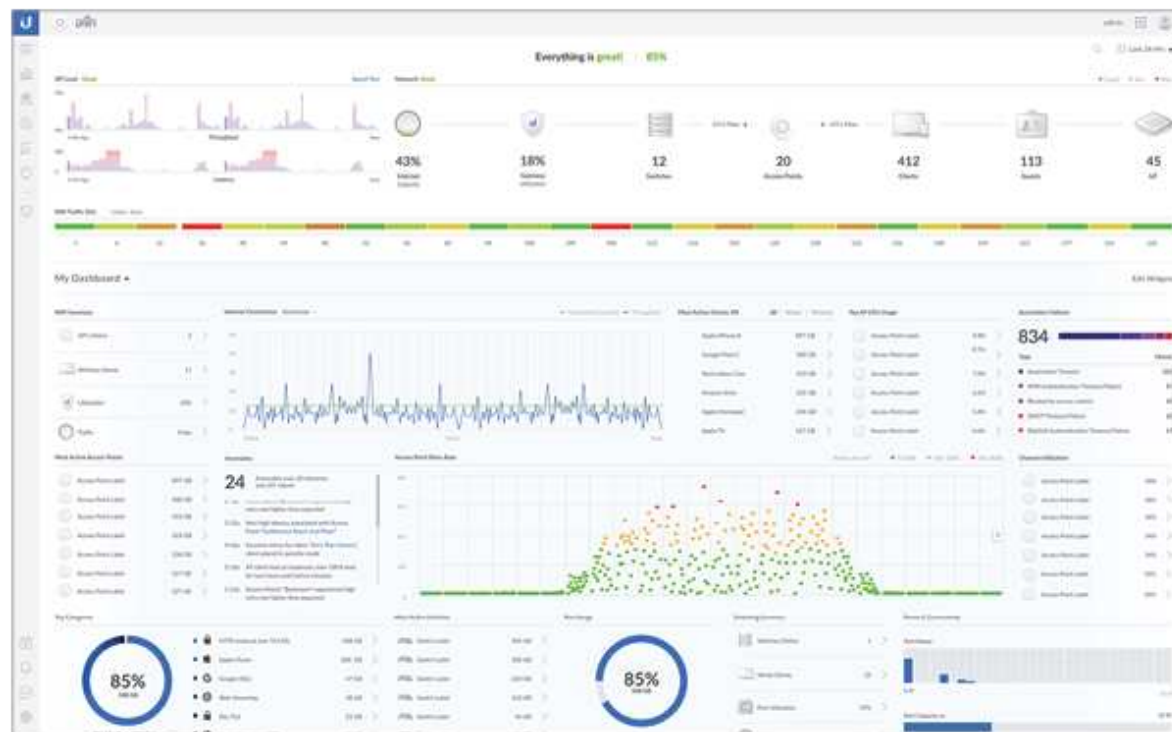
To adopt the UniFi Switch, proceed to [“Adopting the USP-RPS”](#).

You can manage your network and view network statistics using the UniFi Network Controller management interface. For information on using the UniFi Network Controller software, refer to the User Guide located on our website at: [ui.com/download/unifi](http://ui.com/download/unifi)

## Adopting the USP-RPS

1. From the UniFi Controller dashboard, click Devices in the left menu bar.





2. On the Devices screen, locate the USP-RPS in the list of devices under the Model column. To adopt the USP-RPS, click Adopt.

DEVICE NAME	IP ADDRESS	STATUS	MODEL	VERSION	UPTIME
USG	10.3.50.21	CONNECTED	UniFi Security Gateway 4P	4.4.16.9052072	72d 17h 52m 34s
US-4XG	192.168.1.155	CONNECTED (1000 PDR)	UniFi Switch XG 4PCE	4.0.5.9550	55m 40s
US-XG	192.168.1.25	CONNECTED (1000 PDR)	UniFi Switch XG	4.0.1.9421	13d 2h 57m 49s
US56P-150W	192.168.1.176	CONNECTED	UniFi Switch 16 POE-150W	4.0.5.9550	54m 32s
US8P-150W	192.168.1.31	CONNECTED	UniFi Switch 8 POE-150W	4.0.1.9421	25d 22h 16m 38s
US8P-150W	192.168.1.248	CONNECTED	UniFi Switch 8 POE-150W	4.0.5.9550	36m 24s
US8P-60W	192.168.1.45	CONNECTED	UniFi Switch 8 POE-60W	4.0.5.9550	12m 47s
KEM770CRH	192.168.1.152	PENDING ADDITION	UniFi SmartPower EPS	4.0.5.9550	1h 27m 10s

3. The System LED on the device will turn blue to confirm that it has been successfully adopted.

## Specifications

USP-RPS	
Dimensions	442.40 x 325.60 x 43.70 mm (17.42 x 12.82 x 1.72")
Weight	5.500 kg (12.13 lb)
With Mount Brackets	5.590 kg (12.32 lb)
Interfaces	

USP-RPS	
Networking Management Power Output	(1) 10/100/1000 Mbps RJ45 Port Ethernet In-Band (6) RPS DC Ports
Max. Power Consumption	995W
Power Method	(1) Universal AC Input, 100 to 240VAC
Power Supply	Internal 350W AC/DC Internal 645W AC/DC
Supported Voltage Range	100 - 240VAC
Display	1.3" Color Touch Panel
LED System RJ45 USP RPS	Status Link/Activity Activity
ESD/EMP Protection	Air: $\pm 16$ kV, Contact: $\pm 12$ kV
Shock and Vibration	ETSI300-019-1.4 Standard
Operating Temperature	-5 to 45° C (23 to 113° F)
Operating Humidity	10 to 90% Noncondensing
Certifications	CE, FCC, IC
RPS	
Total Output Power 52VDC 11.5VDC	11.54A (600W) 30.44A (350W)
Max. Output Power per RPS Port 52VDC	11.54A (600W)

## Safety Notices

1. Read, follow, and keep these instructions.
2. Heed all warnings.
3. Only use attachments/accessories specified by the manufacturer.



**WARNING:** Failure to provide proper ventilation may cause fire hazard. Keep at least 20 mm of clearance next to the ventilation holes for adequate airflow.



**WARNING:** To reduce the risk of fire or electric shock, do not expose this product to rain or moisture.



**WARNING:** Do not use this product in location that can be submerged by water.



**WARNING:** Avoid using this product during an electrical storm. There may be a remote risk of electric shock from lightning.

## Electrical Safety Information

1. Compliance is required with respect to voltage, frequency, and current requirements indicated on the manufacturer's label. Connection to a different power source than those specified may result in improper operation, damage to the equipment or pose a fire hazard if the limitations are not followed.
2. There are no operator serviceable parts inside this equipment. Service should be provided only by a qualified service technician.
3. This equipment is provided with a detachable power cord which has an integral safety ground wire intended for connection to a grounded safety outlet.

- a. Do not substitute the power cord with one that is not the provided approved type. Never use an adapter plug to connect to a 2-wire outlet as this will defeat the continuity of the grounding wire.
  - b. The equipment requires the use of the ground wire as a part of the safety certification, modification or misuse can provide a shock hazard that can result in serious injury or death.
  - c. Contact a qualified electrician or the manufacturer if there are questions about the installation prior to connecting the equipment.
  - d. Protective earthing is provided by Listed AC adapter. Building installation shall provide appropriate short-circuit backup protection.
  - e. Protective bonding must be installed in accordance with local national wiring rules and regulations.
4. The product is used in Service Access Area.

## Limited Warranty

[ui.com/support/warranty](https://ui.com/support/warranty)

The limited warranty requires the use of arbitration to resolve disputes on an individual basis, and, where applicable, specify arbitration instead of jury trials or class actions.

## Compliance

### FCC

Changes or modifications not expressly approved by the party responsible for compliance could void the user's authority to operate the equipment.

This device complies with Part 15 of the FCC Rules. Operation is subject to the following two conditions.

1. This device may not cause harmful interference, and
2. This device must accept any interference received, including interference that may cause undesired operation.

This equipment has been tested and found to comply with the limits for a Class A digital device, pursuant to Part 15 of the FCC Rules. These limits are designed to provide reasonable protection against harmful interference when the equipment is operated in a commercial environment. This equipment generates, uses, and can radiate radio frequency energy and, if not installed and used in accordance with the instruction manual, may cause harmful interference to radio communications. Operations of this equipment in a residential area is likely to cause harmful interference in which case the user will be required to correct the interference at his own expense.

## ISED Canada

CAN ICES-3(A)/NMB-3(A)

## Australia and New Zealand



Warning: This equipment is compliant with Class A of CISPR 32. In a residential environment this equipment may cause radio interference.

## CE Marking

CE marking on this product represents the product is in compliance with all directives that are applicable to it.



## WEEE Compliance Statement

## Declaration of Conformity

## Online Resources



© 2020 Ubiquiti Inc. All rights reserved.