

## Package Contents



UniFi Security Gateway



Power Adapter (12V, 1A)



Power Cord



Screws (Qty. 2)



Screw Anchors (Qty. 2)

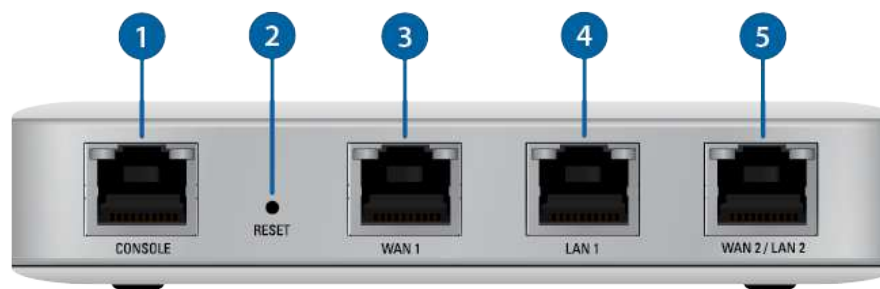
## UniFi Controller System Requirements

- Microsoft Windows 8, Mac OS X, or Linux

- Java Runtime Environment 1.6 (or above)
- Web Browser: Mozilla Firefox, Google Chrome, Microsoft Edge, or Microsoft Internet Explorer 11
- UniFi Controller software v5.4 or higher (available at: [ui.com/download/unifi](https://ui.com/download/unifi))

## Hardware Overview

### Ports Panel



#### 1 Console

RJ45 serial console port for CLI management. Use a RJ45-to-DB9 serial console cable to connect the Console port to your computer. Then configure using the following settings:

- Baud rate 115200
- Data bits 8
- Parity NONE
- Stop bits 1
- Flow control NONE

#### 2 Reset

Resets to factory defaults. The UniFi Gateway should be powered on. Press and hold the Reset button for about 10 seconds until the right LED on the WAN 2 / LAN 2 port starts flashing and then becomes solidly lit. After a few seconds, the LED will turn off, and the UniFi Gateway will automatically reboot.

### 3 WAN 1 Port

Supports 10/100/1000 Ethernet WAN connections. Default setting is DHCP client.

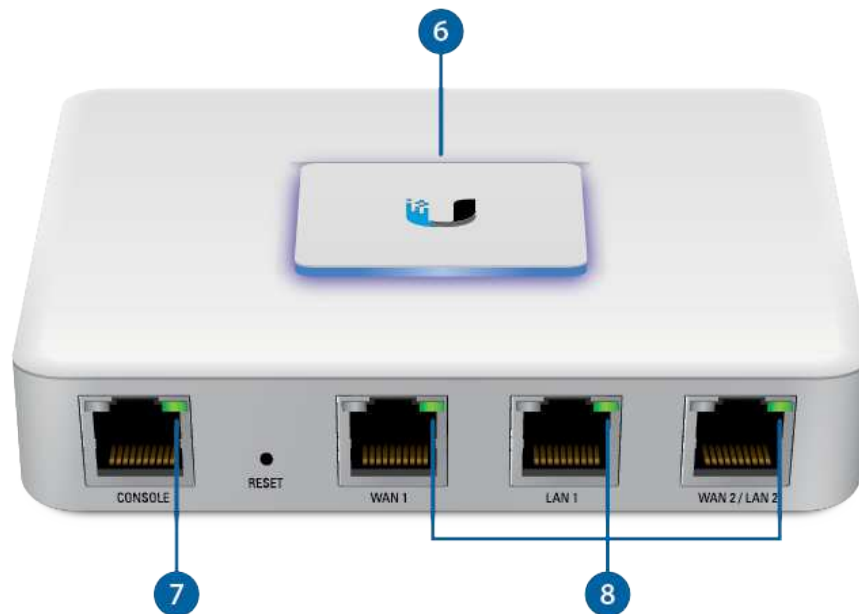
### 4 LAN 1 Port

Supports 10/100/1000 Ethernet LAN connections. Default setting is DHCP Server.  
Server IP: 192.168.1.1/24

### 5 WAN 2 / LAN 2 Port

Supports 10/100/1000 Ethernet connections. Configure the port using the UniFi Gateway configuration interface.

## LEDs



**6** System LED

[Click here](#) for detailed descriptions.

**7** Power LED

Off	Power Off
Green	Power On

**8** Speed/Link/Act LED

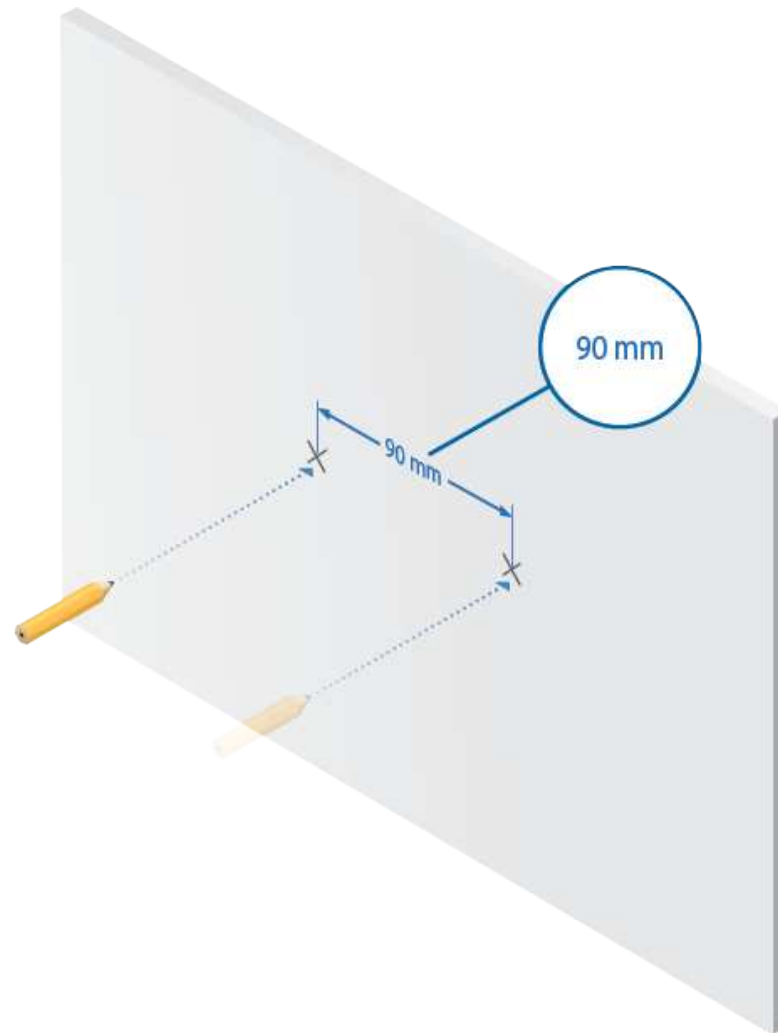
Off	No Link
Amber	Link Established at 10/100 Mbps

Amber Flashing	Link Activity at 10/100 Mbps
Green	Link Established at 1000 Mbps
Green Flashing	Link Activity at 1000 Mbps

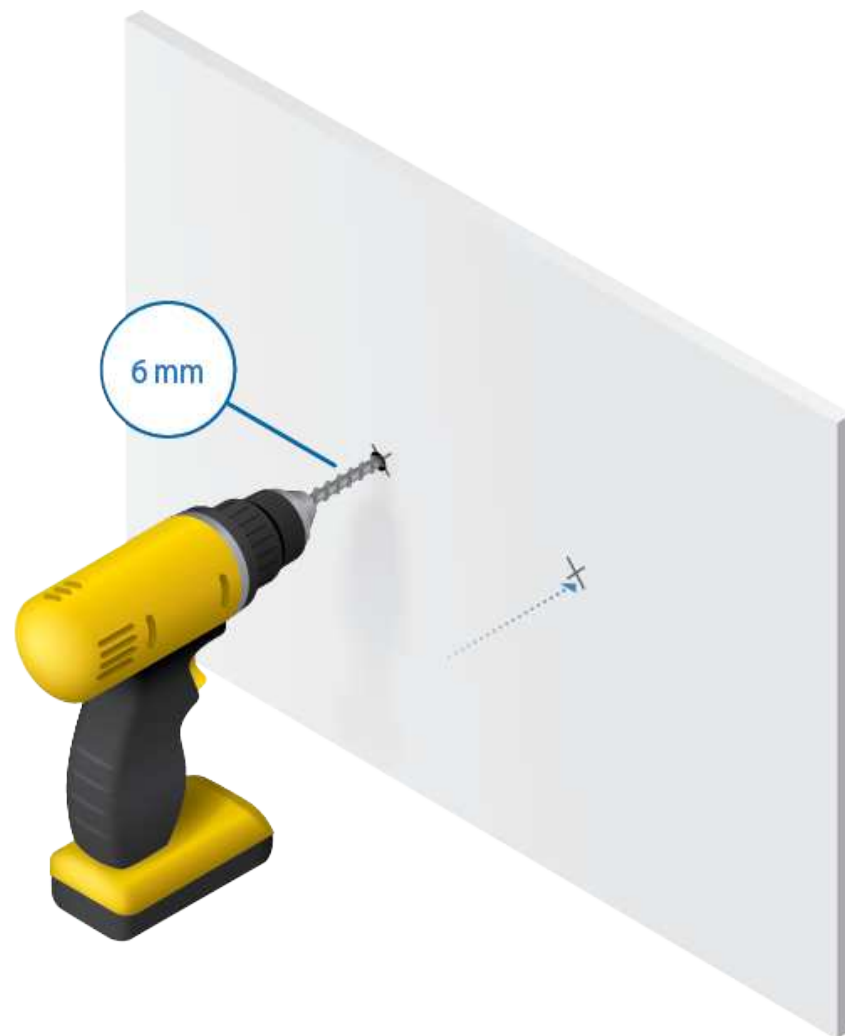
## Hardware Installation

### Wall-Mounting (Optional)

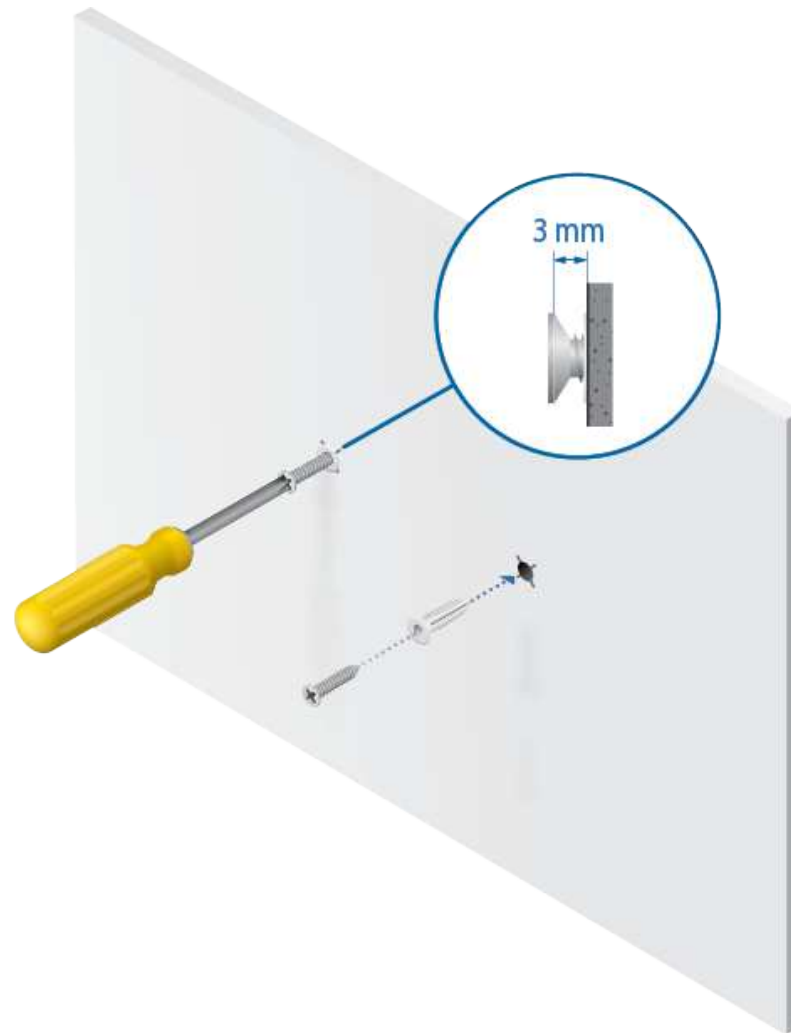
- 1.



2.

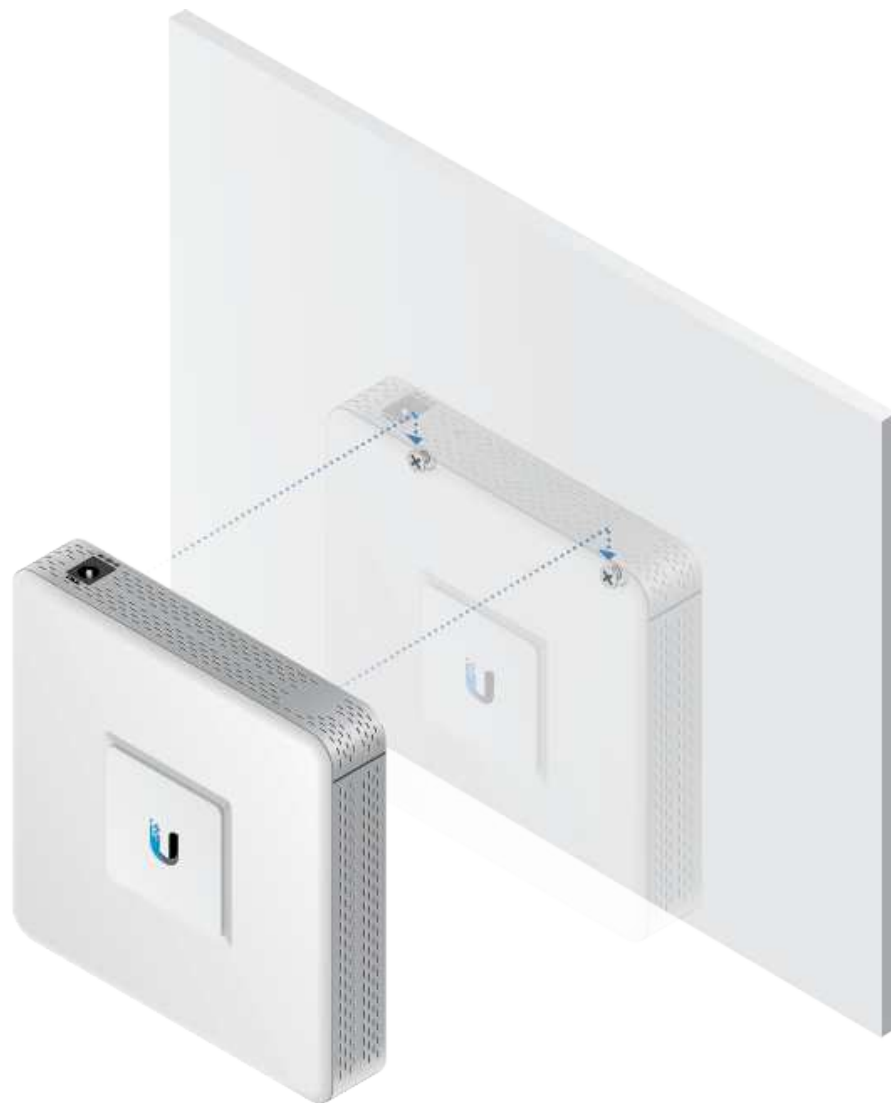


3.



4.



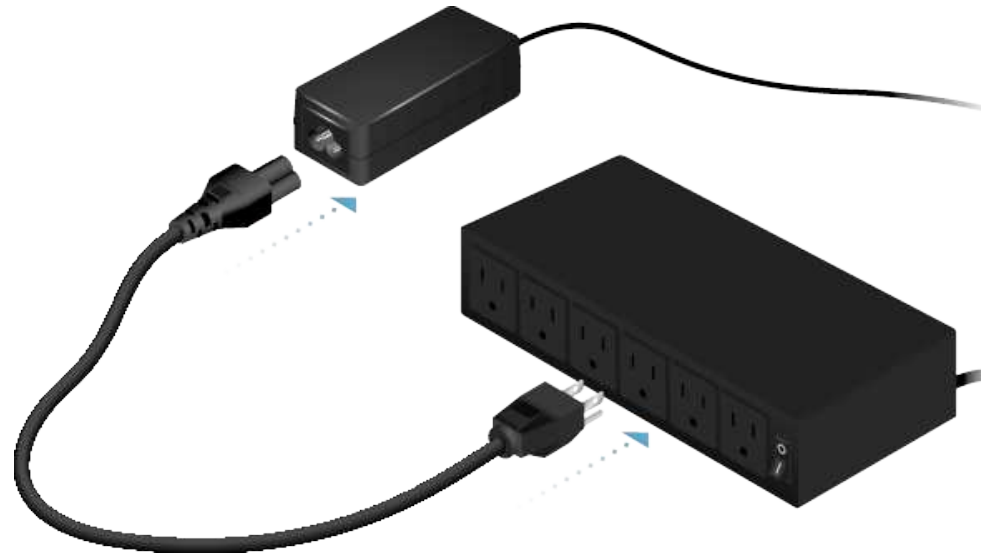


## Connecting Power

1.



2.



## Network Connections

1.



2.



## Software Installation

Download the latest version of the UniFi Controller software at: [ui.com/download/unifi](https://ui.com/download/unifi)

From a management station connected to the same Layer-2 network, launch the installer and follow the on-screen instructions.



**Note:** If you already have UniFi Controller v5.4 or higher installed, go to the section, Adopting the UniFi Gateway.

After you have installed the software and run the UniFi Installation Wizard, a login screen will appear for the UniFi Controller management interface. Enter the username

and password that you created and click Sign In.



You can manage your network and view network statistics using the UniFi Controller management interface. For information on using the UniFi Controller software, refer to the User Guide located on our website at: [ui.com/download/unifi](https://ui.com/download/unifi)

## Adopting the UniFi Gateway

1. From the UniFi Controller dashboard, click Devices in the left menu bar.



2. Locate the UniFi Gateway in the list of devices under the Model column. Click Adopt.

ID	DEVICE NAME	IP ADDRESS	STATUS	MODEL	VERSION	UPTIME	ACTIONS
1	UniFi Gateway	192.168.1.1	Successfully adopted	UniFi Gateway	4.3.11.4502827	55m 45s	ADD
2	Arlo US-18-150W	192.168.1.233	Connecting	UniFi Switch 18 POE-150W	3.5.1.4088	10d 18h 45m 7s	LOCATE RESTART
3	Downstairs US-48-900W	192.168.1.191	Connecting	UniFi Switch 48 POE-900W	3.5.1.4088	4d 21h 55m 15s	LOCATE RESTART
4	Workshop US-48-750W	192.168.1.246	Connecting	UniFi Switch 48 POE-750W	3.5.1.4088	3d 21h 12m 13s	LOCATE RESTART
5	Rack US-48-750W	192.168.1.4	Connecting	UniFi Switch 48 POE-750W	3.5.1.4088	4d 21h 55m 29s	LOCATE RESTART
6	PushPanel US-8-150W	192.168.1.204	Connecting	UniFi Switch 8 POE-150W	3.5.1.4088	1d 8h 10m 17s	LOCATE RESTART
7	AC-Breakroom	192.168.1.231	Connecting	UniFi AP-AC v2	3.5.1.4088	4d 21h 53m 4s	LOCATE RESTART
8	AC-LITE	192.168.1.162	Connecting	UniFi AP-AC-Lite	3.6.1.3553	3d 21h 17m 32s	LOCATE RESTART
9	AC-LR-Basement	192.168.1.137	Connecting	UniFi AP-AC-LR	3.6.1.3553	4d 21h 54m 8s	LOCATE RESTART
10	44d9e7020433	192.168.1.197	Connecting	UniFi AP-AC-Lite	3.6.1.3553	3d 21h 1m 32s	LOCATE RESTART
11	44d9e7020444	192.168.1.198	Connecting	UniFi AP-AC-LR	3.6.1.3553	3d 19h 26m 8s	LOCATE RESTART
12	AC-Pro-Basement	192.168.1.7	Connecting	UniFi AP-AC-Pro Gen2	3.6.1.3553	4d 21h 53m 31s	LOCATE RESTART
13	44d9e7f9e289	192.168.1.200	Connecting	UniFi AP-AC-Pro Gen2	3.6.1.3553	9d 17h 59m 46s	LOCATE RESTART
14	Protonet1 UAP-AC-Pro	192.168.1.182	Connecting	UniFi AP-AC-Pro Gen2	3.6.1.3553	1d 8h 7m 12s	LOCATE RESTART
15	AC-Pro-Crawlspace	192.168.1.134	Connecting	UniFi AP-AC-Pro Gen2	3.6.1.3553	3d 21h 59m 34s	LOCATE RESTART
16	Timeout	192.168.1.235	Connecting	UniFi AP-In Wall	3.5.1.4088	1d 8h 8m 14s	LOCATE RESTART
17	Living	192.168.1.136	Connecting	UniFi AP-In Wall	3.5.1.4088	1d 8h 8m 36s	LOCATE RESTART
18	Sitting	192.168.1.124	Connecting	UniFi AP-In Wall	3.5.1.4088	1d 8h 8m 16s	LOCATE RESTART
19	Master	192.168.1.158	Connecting	UniFi AP-In Wall	3.5.1.4088	1d 8h 8m 18s	LOCATE RESTART
20	Loft	192.168.1.139	Connecting	UniFi AP-In Wall	3.5.1.4088	1d 8h 8m 32s	LOCATE RESTART
21	Basement	192.168.1.140	Connecting	UniFi AP-In Wall	3.5.1.4088	1d 8h 8m 25s	LOCATE RESTART
22	24ak3c9421d9	192.168.1.122	Connecting	UniFi AP-Outdoor+	3.5.1.4088	3d 17h 22m 54s	LOCATE RESTART
23	Pro-rantest2	192.168.1.164	Connecting	UniFi AP-Pro	3.5.1.4088	1d 8h 20m 25s	LOCATE RESTART
24	Pro-rantest	192.168.1.141	Connecting	UniFi AP-Pro	3.5.1.4088	3d 21h 16m 49s	LOCATE RESTART

3. The System LED on the UniFi Gateway will turn blue to confirm that it is successfully adopted.

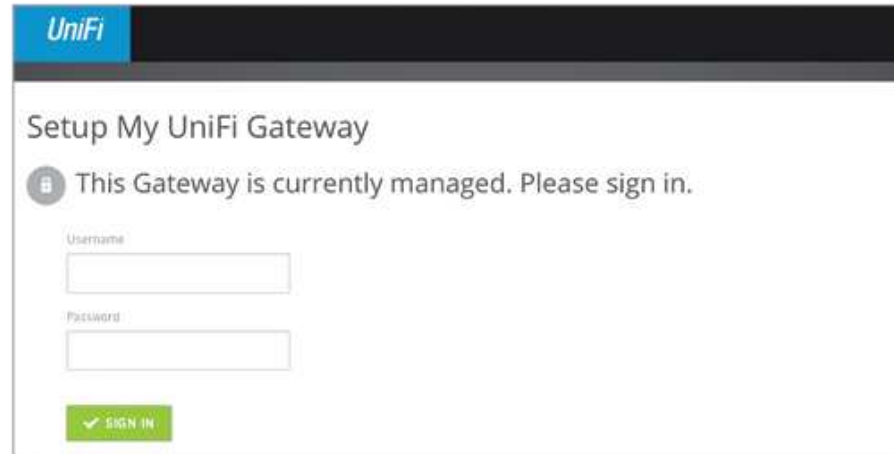
## Optional WAN Port Configuration via Layer 3

By default, the WAN port is set to DHCP so it can be assigned network settings by the service provider. To change the setting, connect a computer directly (or through a switch) to the LAN 1 port of the UniFi Gateway.

1. From a web browser, go to <https://setup.ui.com>



2. Enter your Username and Password. Click Sign In.



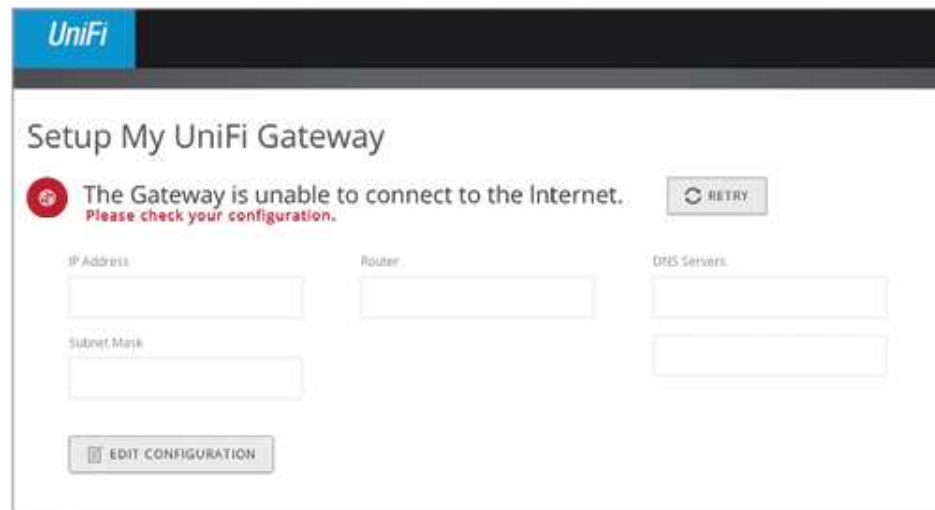
The screenshot shows the UniFi web interface for setting up a gateway. At the top left is the UniFi logo. The main heading is "Setup My UniFi Gateway". Below this, a message with a lock icon states: "This Gateway is currently managed. Please sign in." There are two input fields: "Username" and "Password". At the bottom left of the form is a green button with a checkmark and the text "SIGN IN".



**Note:** If the UniFi Gateway has not been adopted by a UniFi Controller, the login window will be skipped and the Setup window will appear.

3. In the Setup window, click Edit Configuration to configure the WAN port to DHCP, Static IP, or PPPoE.





For information on using the UniFi Controller software, refer to the User Guide located on our website at: [ui.com/download/unifi](https://ui.com/download/unifi)

## Specifications

USG	
Dimensions	135 x 135 x 28.3 mm (5.32 x 5.32 x 1.11")
Weight	366 g (12.9 oz)
Networking Interfaces	
Serial Console Port	(1) RJ45 Serial Port
Data Ports	(3) 10/100/1000 Ethernet Ports
Max. Power Consumption	7W
Power Supply	12VDC, 1A Power Adapter (Included)

USG	
Supported Voltage Range	9 to 24VDC
LEDs	
System	Status
Serial Console Port	Power
Data Ports	Speed/Link/Activity
Layer 3 Forwarding Performance	
Packet Size: 64 Bytes	1,000,000 pps
Packet Size: 512 Bytes or Larger	3 Gbps (Line Rate)
Processor	Dual-Core 500 MHz, MIPS64 with Hardware Acceleration for Packet Processing
System Memory	512 MB DDR2 RAM
On-Board Flash Storage	2 GB
Rackmount	Yes
Operating Temperature	-10 to 45° C (14 to 113° F)
Operating Humidity	10 to 90% Noncondensing
Certifications	CE, FCC, IC

## Safety Notices

1. Read, follow, and keep these instructions.
2. Heed all warnings.
3. Only use attachments/accessories specified by the manufacturer.



**WARNING:** Failure to provide proper ventilation may cause fire hazard. Keep at least 20 mm of clearance next to the ventilation holes for adequate airflow.



**WARNING:** To reduce the risk of fire or electric shock, do not expose this product to rain or moisture.



**WARNING:** Do not use this product in location that can be submerged by water.



**WARNING:** Avoid using this product during an electrical storm. There may be a remote risk of electric shock from lightning.

## Electrical Safety Information

1. Compliance is required with respect to voltage, frequency, and current requirements indicated on the manufacturer's label. Connection to a different power source than those specified may result in improper operation, damage to the equipment or pose a fire hazard if the limitations are not followed.
2. There are no operator serviceable parts inside this equipment. Service should be provided only by a qualified service technician.
3. This equipment is provided with a detachable power cord which has an integral safety ground wire intended for connection to a grounded safety outlet.
  - a. Do not substitute the power cord with one that is not the provided approved type. Never use an adapter plug to connect to a 2-wire outlet as this will defeat the continuity of the grounding wire.
  - b. The equipment requires the use of the ground wire as a part of the safety certification, modification or misuse can provide a shock hazard that can result in serious injury or death.
  - c. Contact a qualified electrician or the manufacturer if there are questions about the installation prior to connecting the equipment.
  - d. Protective earthing is provided by Listed AC adapter. Building installation shall provide appropriate short-circuit backup protection.
  - e. Protective bonding must be installed in accordance with local national wiring rules and regulations.

## Limited Warranty

[ui.com/support/warranty](https://ui.com/support/warranty)

The limited warranty requires the use of arbitration to resolve disputes on an individual basis, and, where applicable, specify arbitration instead of jury trials or class actions.

## Compliance

### FCC

Changes or modifications not expressly approved by the party responsible for compliance could void the user's authority to operate the equipment.

This device complies with Part 15 of the FCC Rules. Operation is subject to the following two conditions.

1. This device may not cause harmful interference, and
2. This device must accept any interference received, including interference that may cause undesired operation.

This equipment has been tested and found to comply with the limits for a Class A digital device, pursuant to Part 15 of the FCC Rules. These limits are designed to provide reasonable protection against harmful interference when the equipment is operated in a commercial environment. This equipment generates, uses, and can radiate radio frequency energy and, if not installed and used in accordance with the instruction manual, may cause harmful interference to radio communications. Operations of this equipment in a residential area is likely to cause harmful interference in which case the user will be required to correct the interference at his own expense.

### ISED Canada

CAN ICES-3(A)/NMB-3(A)

### Australia and New Zealand

Warning: This equipment is compliant with Class A of CISPR 32. In a residential



environment this equipment may cause radio interference.

## CE Marking

CE marking on this product represents the product is in compliance with all directives that are applicable to it.



## [WEEE Compliance Statement](#)

## [Declaration of Conformity](#)

## Online Resources



