

Package Contents



UniFi Switch Flex



Wall Mount



Pole Mount



Port Cover



Mounting Screws (Qty. 2)



Screw Anchors (Qty. 2)



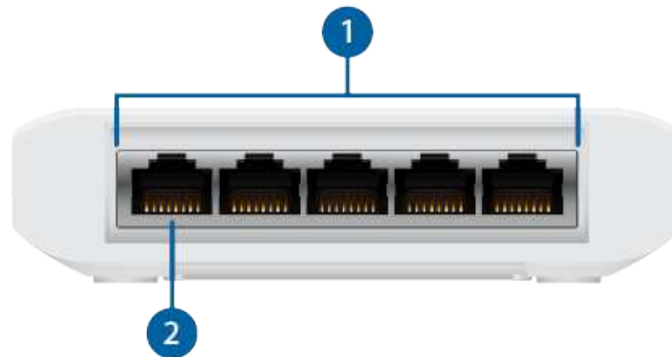
Zip Ties (Qty. 2)

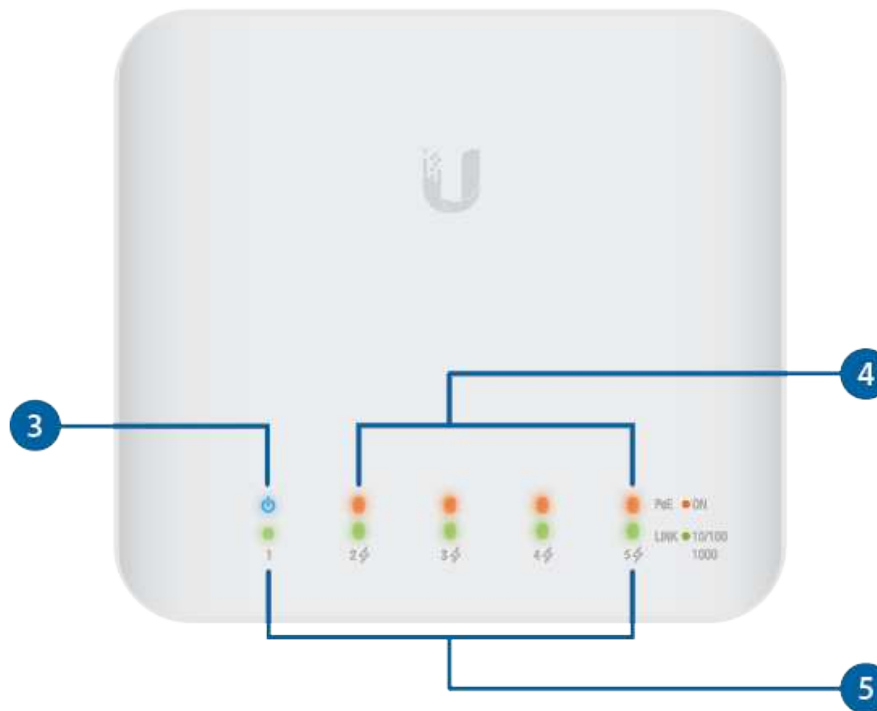
System Requirements

- Linux, Mac OS X, or Microsoft Windows 7/8/10
- Java Runtime Environment 1.8 or above recommended
- Web Browser: Google Chrome (Other browsers may have limited functionality)
- UniFi Controller software v5.10.x (or newer), available at: ui.com/download/unifi

All UniFi devices support off-site management controllers. For setup details, refer to the User Guide on the website: ui.com/download/unifi

Hardware Overview





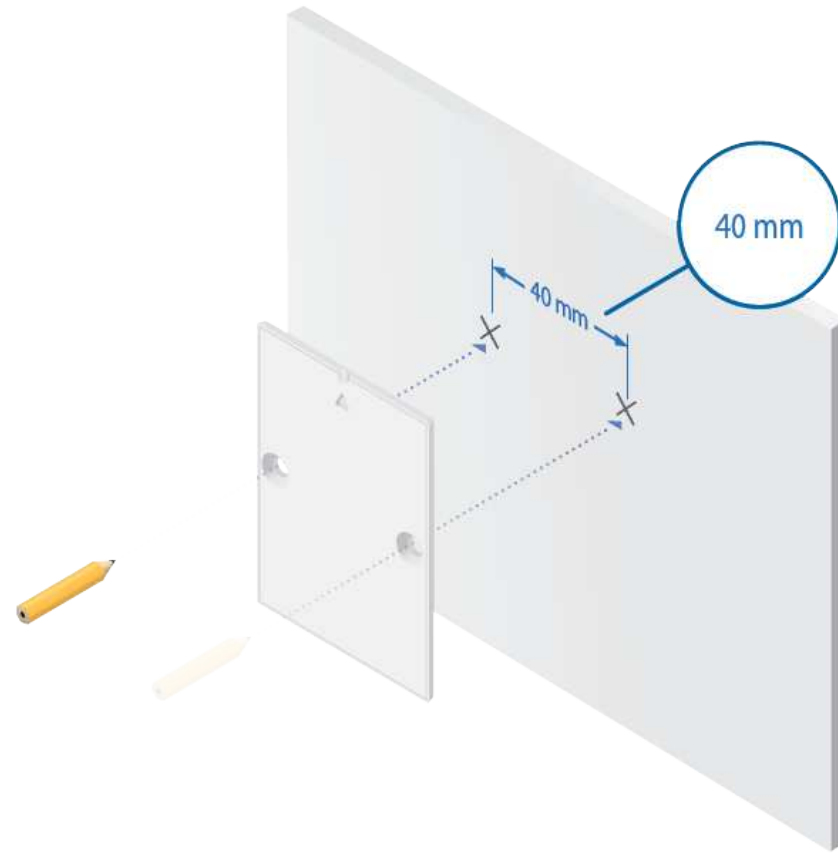
1 RJ45 (Ports 1 - 5)	
RJ45 ports support 10/100/1000 Mbps Ethernet connections.	
2 PoE In (Port 1)	
Supports 802.3af/at/bt	
3 System LED	
Steady White	Factory defaults, awaiting adoption.
Flashing White	Bootup in process.

Steady Blue	Successfully adopted.
Flashing Blue	Firmware upgrade in process.
4 PoE LEDs (Ports 2 - 5)	
Off	No PoE
Amber	Powered on, IEEE 802.3af
5 Link/Speed/Activity LEDs (Ports 1 - 5)	
Off	No Link
Green	Link established at 10/100/1000 Mbps Flashing indicates activity

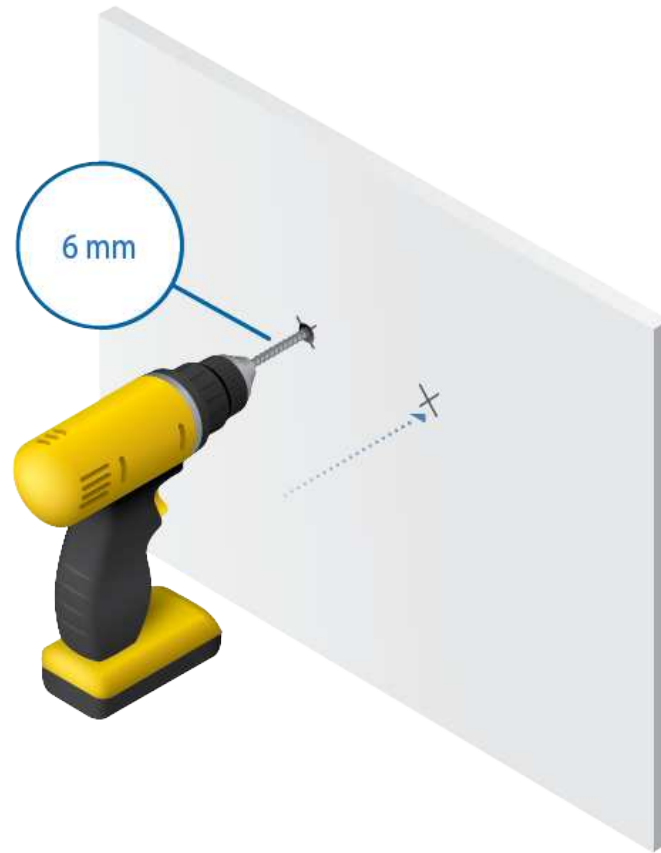
Hardware Installation

Wall Mounting

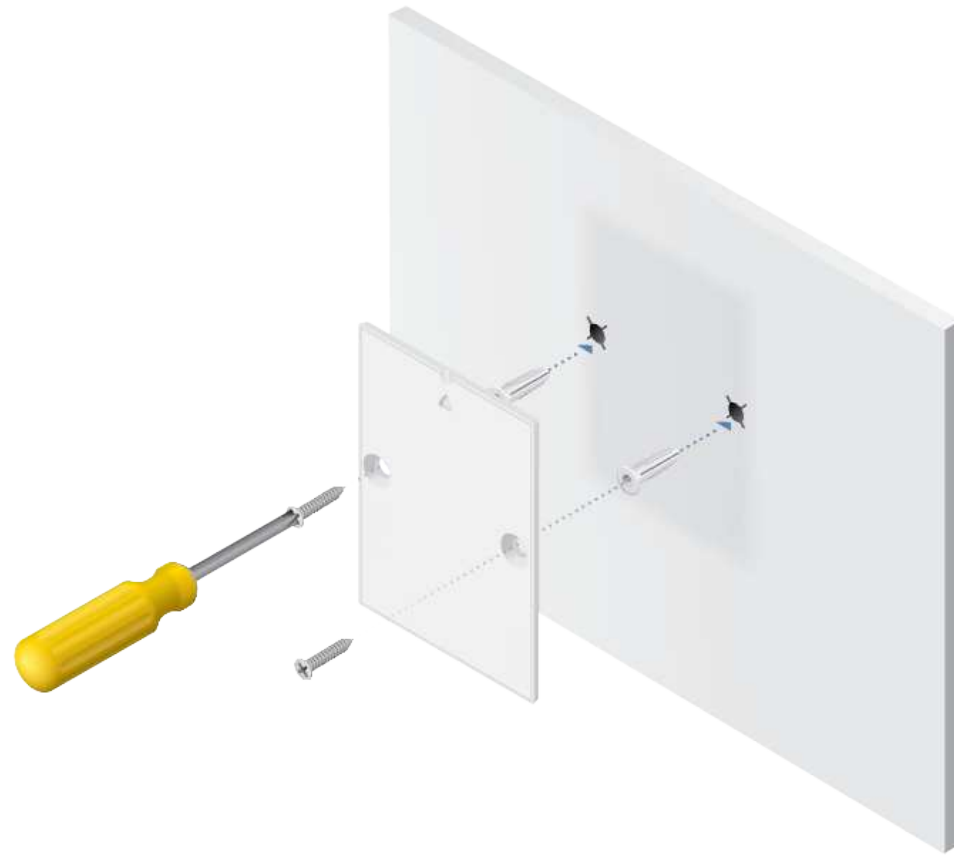
- 1.



2.



3.



4.



Magnetic Mounting

1.

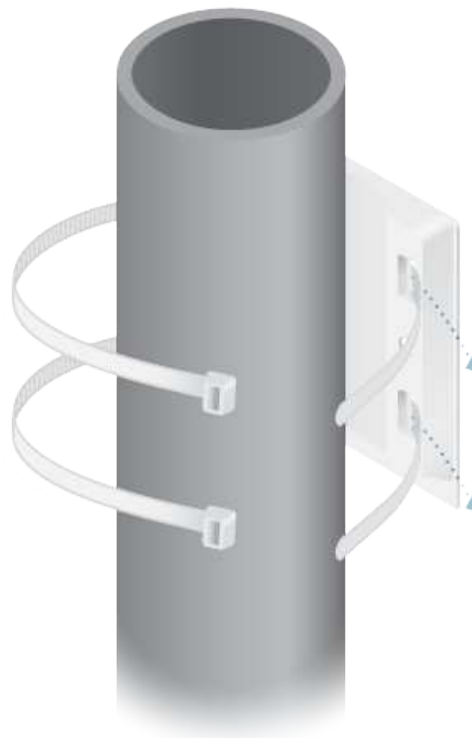
2.



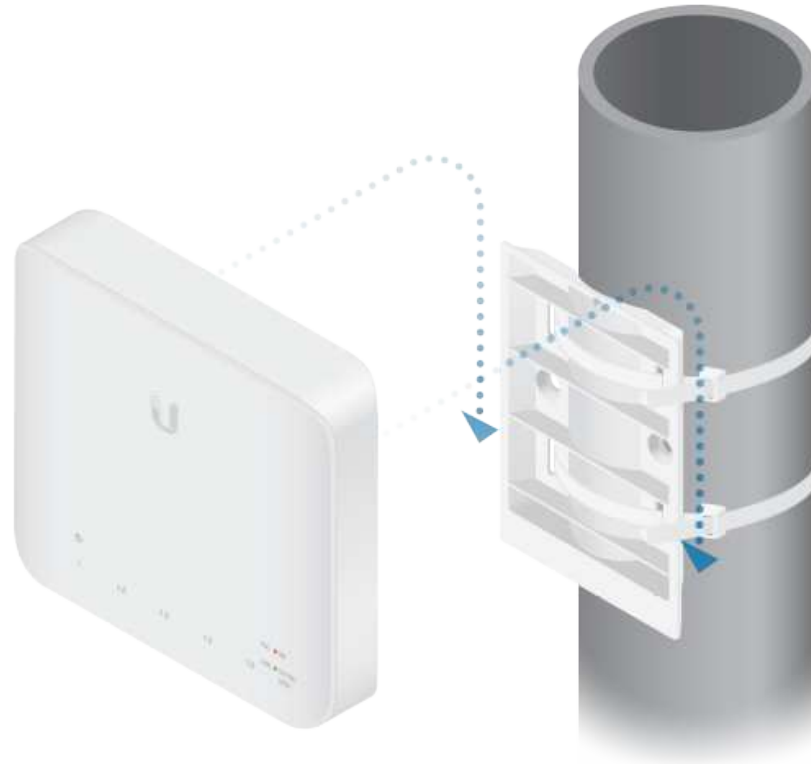


Pole Mounting

1.



2.

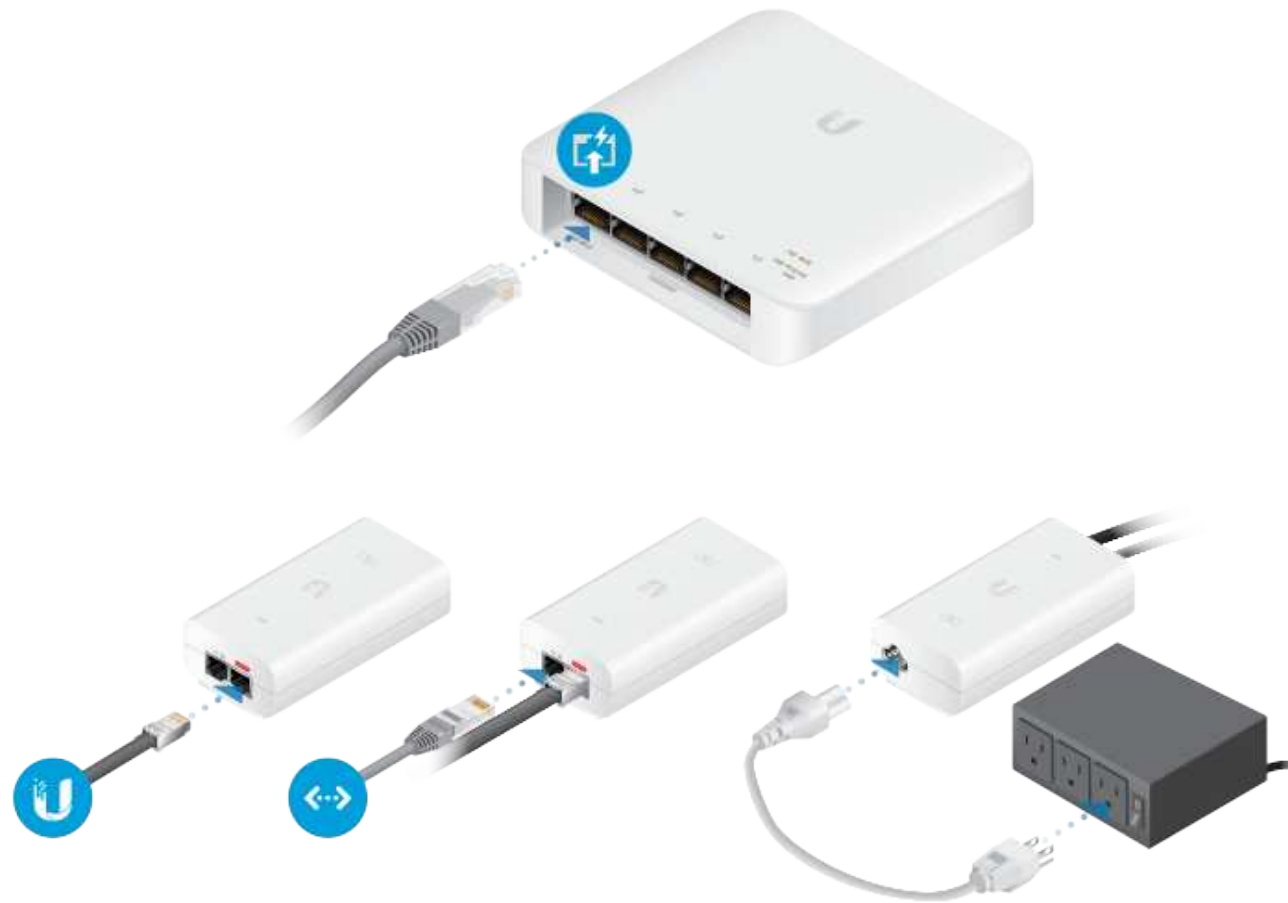


NOTE: For outdoor installations, please install the Port Cover prior to connecting your Ethernet cables. See [Outdoor Installation](#).

Powering the Switch



OR



Connecting Ethernet



NOTE: For outdoor installations, please install the Port Cover prior to connecting your Ethernet cables. See [Outdoor Installation](#).

Outdoor Installation

- 1.



2.



3.



Software Installation

Download and install the latest version of the UniFi Controller software at ui.com/download/unifi and follow the on-screen instructions.



Note: If you already have UniFi Controller v5.10.x or newer installed, skip to Adopting the UniFi Switch.

After you have installed the software and run the UniFi Installation Wizard, a login screen will appear for the UniFi Controller management interface. Enter the admin name and password that you created and click Sign In.



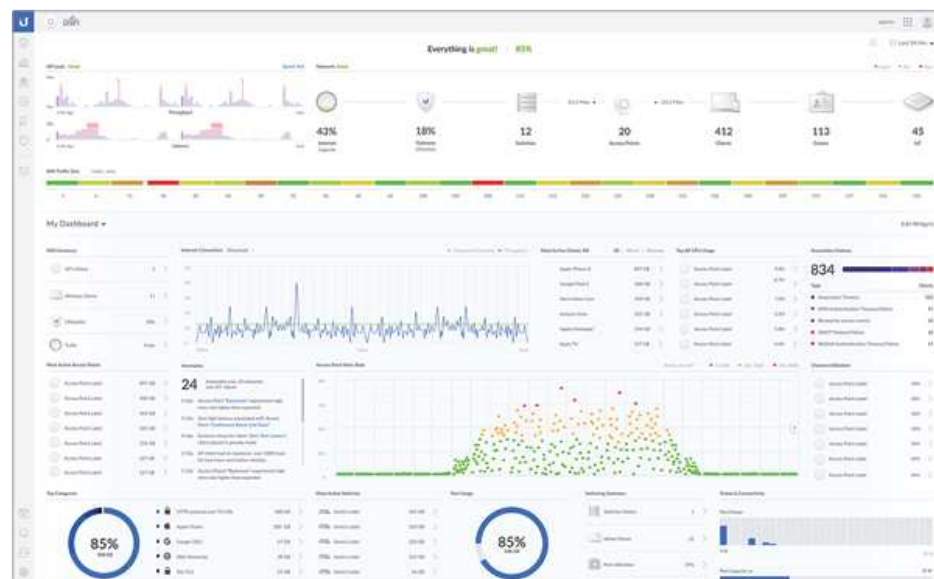
You can manage your network and view network statistics using the UniFi Controller management interface.

To adopt the UniFi Switch, proceed to the Adopting the UniFi Switch section.

For information on configuring and using the UniFi Controller software, refer to the User Guide on the website: ui.com/download/unifi

Adopting the UniFi Switch

1. From the UniFi Controller dashboard, click Devices in the left menu bar.



2. On the Devices screen, locate the UniFi Switch in the list of devices under the Model column. To adopt the UniFi Switch, click Adopt.

DEVICE NAME	IP ADDRESS	STATUS	MODEL	VERSION	UPTIME
USG	10.0.50.21	CONNECTED	UniFi Security Gateway AP	4.4.18.5052372	15d 17h 52m 34s
US-4XG	192.168.1.155	CONNECTED (1800 PoE)	UniFi Switch-XG 4PoE	4.0.5.9550	15m 40s
US-XG	192.168.1.25	CONNECTED (1800 PoE)	UniFi Switch 16XG	4.0.1.9421	11d 2h 57m 49s
US16P-150W	192.168.1.176	CONNECTED	UniFi Switch 16 PoE-150W	4.0.5.9550	54m 32s
US8P-150W	192.168.1.21	CONNECTED	UniFi Switch 8 PoE-150W	4.0.1.9421	25d 22h 58m 38s
US8P-150W	192.168.1.248	CONNECTED	UniFi Switch 8 PoE-150W	4.0.5.9550	54m 34s
US8P-60W	192.168.1.45	CONNECTED	UniFi Switch 8 PoE-60W	4.0.5.9550	12m 47s
UniFi-77-04-91	192.168.1.152	PENDING ADDITION	UniFi Switch-PSD 8 PoE	4.0.5.9550	1h 27m 16s

3. The System LED on the UniFi Switch will turn blue to confirm that it has been successfully adopted.

Specifications

USW-Flex	
Dimensions	122.5 x 107.1 x 28.0 mm (4.82 x 4.22 x 1.10")
Weight	230 g (8.11 oz)
Networking Interfaces	(5) 10/100/1000 Mbps RJ45 Ports
Management Interface	Ethernet In-Band
Power Method (Port 1)	
PoE Mode 1:	802.3af/at (Pins 1, 2+; 3, 6-)
PoE Mode 2:	802.3bt (Pins 1, 2+; 3, 6- and 4, 5+; 7, 8-)

USW-Flex	
PoE Mode 3:	54V / 1.1A PoE Adapter
PoE Out (Ports 2-5)	802.3af (Pins 1, 2+; 3, 6-)
Max. Power Consumption (Excluding PoE Output)	7W
Supported Voltage Range	
802.3af Mode	44V - 57V
802.3at/bt Mode	50V - 57V
LEDs	
System	Status
RJ45 Data Ports	PoE; Link/Speed/Activity
ESD/EMP Protection	± 16kV Air, ± 16kV Contact
Operating Temperature	-40 to 55° C (-40 to 131° F)
Operating Humidity	5 to 95% Noncondensing
Certifications	CE, FCC, IC

Safety Notices

1. Read, follow, and keep these instructions.
2. Heed all warnings.
3. Only use attachments/accessories specified by the manufacturer.



WARNING: Failure to provide proper ventilation may cause fire hazard. Keep at least 20 mm of clearance next to the ventilation holes for adequate airflow.



WARNING: To reduce the risk of fire or electric shock, do not expose this product to rain or moisture.



WARNING: Do not use this product in location that can be submerged by water.



WARNING: Avoid using this product during an electrical storm. There may be a remote risk of electric shock from lightning.

Electrical Safety Information

1. Compliance is required with respect to voltage, frequency, and current requirements indicated on the manufacturer's label. Connection to a different power source than those specified may result in improper operation, damage to the equipment or pose a fire hazard if the limitations are not followed.
2. There are no operator serviceable parts inside this equipment. Service should be provided only by a qualified service technician.

Limited Warranty

ui.com/support/warranty

The limited warranty requires the use of arbitration to resolve disputes on an individual basis, and, where applicable, specify arbitration instead of jury trials or class actions.

Compliance

FCC

Changes or modifications not expressly approved by the party responsible for compliance could void the user's authority to operate the equipment.

This device complies with Part 15 of the FCC Rules. Operation is subject to the following two conditions.

1. This device may not cause harmful interference, and

2. This device must accept any interference received, including interference that may cause undesired operation.

This equipment has been tested and found to comply with the limits for a Class B digital device, pursuant to Part 15 of the FCC Rules. These limits are designed to provide reasonable protection against harmful interference in a residential installation. This equipment generates, uses, and can radiate radio frequency energy and, if not installed and used in accordance with the instructions, may cause harmful interference to radio communications. However, there is no guarantee that interference will not occur in a particular installation. If this equipment does cause harmful interference to radio or television reception, which can be determined by turning the equipment off and on, the user is encouraged to try to correct the interference by one or more of the following measures:

- Reorient or relocate the receiving antenna.
- Increase the separation between the equipment and receiver.
- Connect the equipment into an outlet on a circuit different from that to which the receiver is connected.
- Consult the dealer or an experienced radio/TV technician for help.

ISED Canada

CAN ICES-3(B)/NMB-3(B)

Australia and New Zealand



CE Marking

CE marking on this product represents the product is in compliance with all directives that are applicable to it.



[WEEE Compliance Statement](#)

[Declaration of Conformity](#)

Online Resources



© 2020 Ubiquiti Inc. All rights reserved.